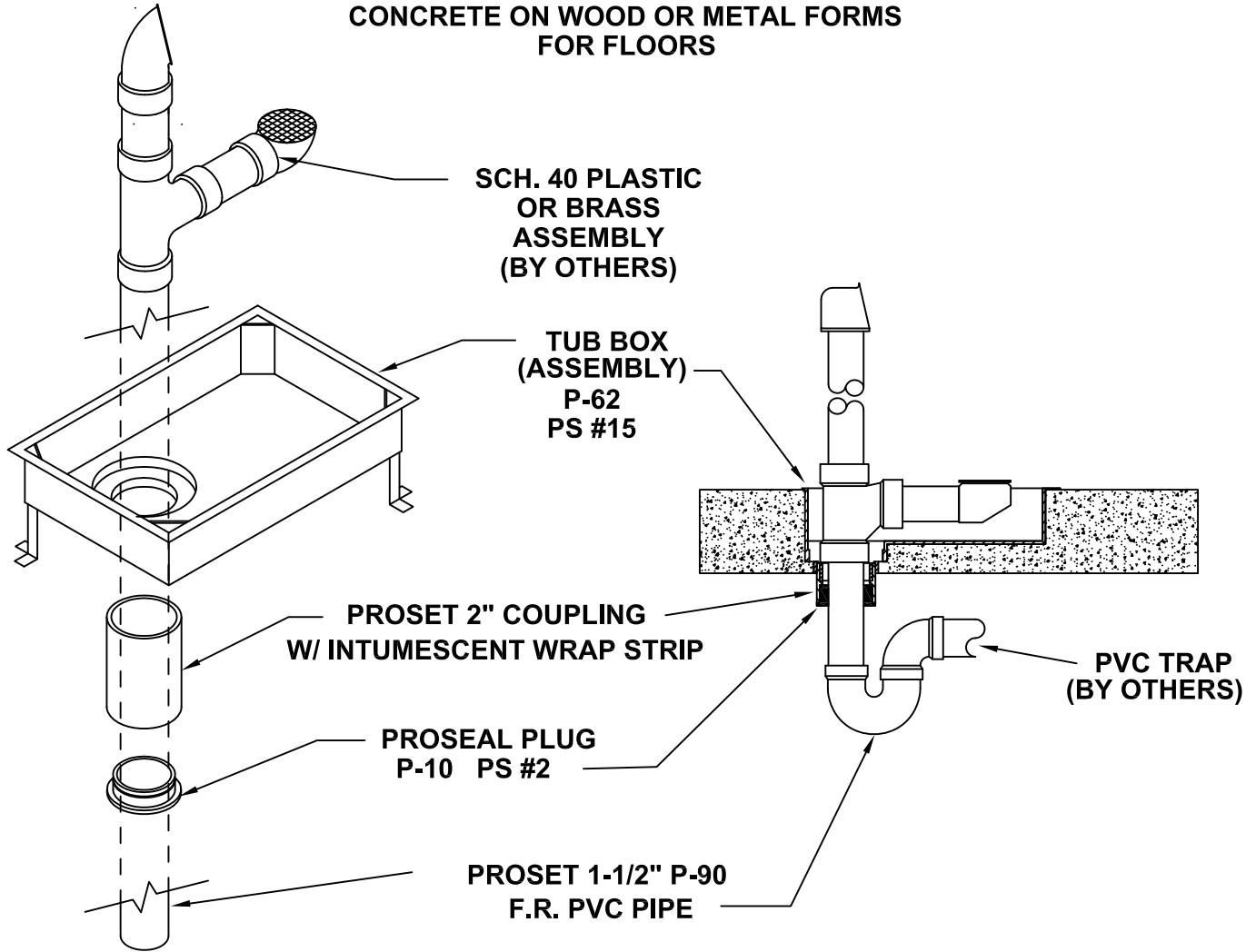


TUB BOX ASSEMBLY

CONCRETE ON WOOD OR METAL FORMS
FOR FLOORS



Size	Part No.	Description	Price	Unit Total
2"	P2562H-HAM	Tub Box w/wrap coupling	25.30	
2"	C25661 or C25662	Bushing 1 1/2" pipe or tube	2.65	27.95

Note: Tub box can be used in concrete on top of corrugated metal decks.



W.H. Directory Reference 99 Edition
Firestop Device
W.H. Design No. PS/PH 120-10
F Rating 2 Hrs.



PROSET[®]
SYSTEMS
FIRESTOP PENETRATOR™

DATE :
8-01-18

DRG . NO .
C-6211-HAM