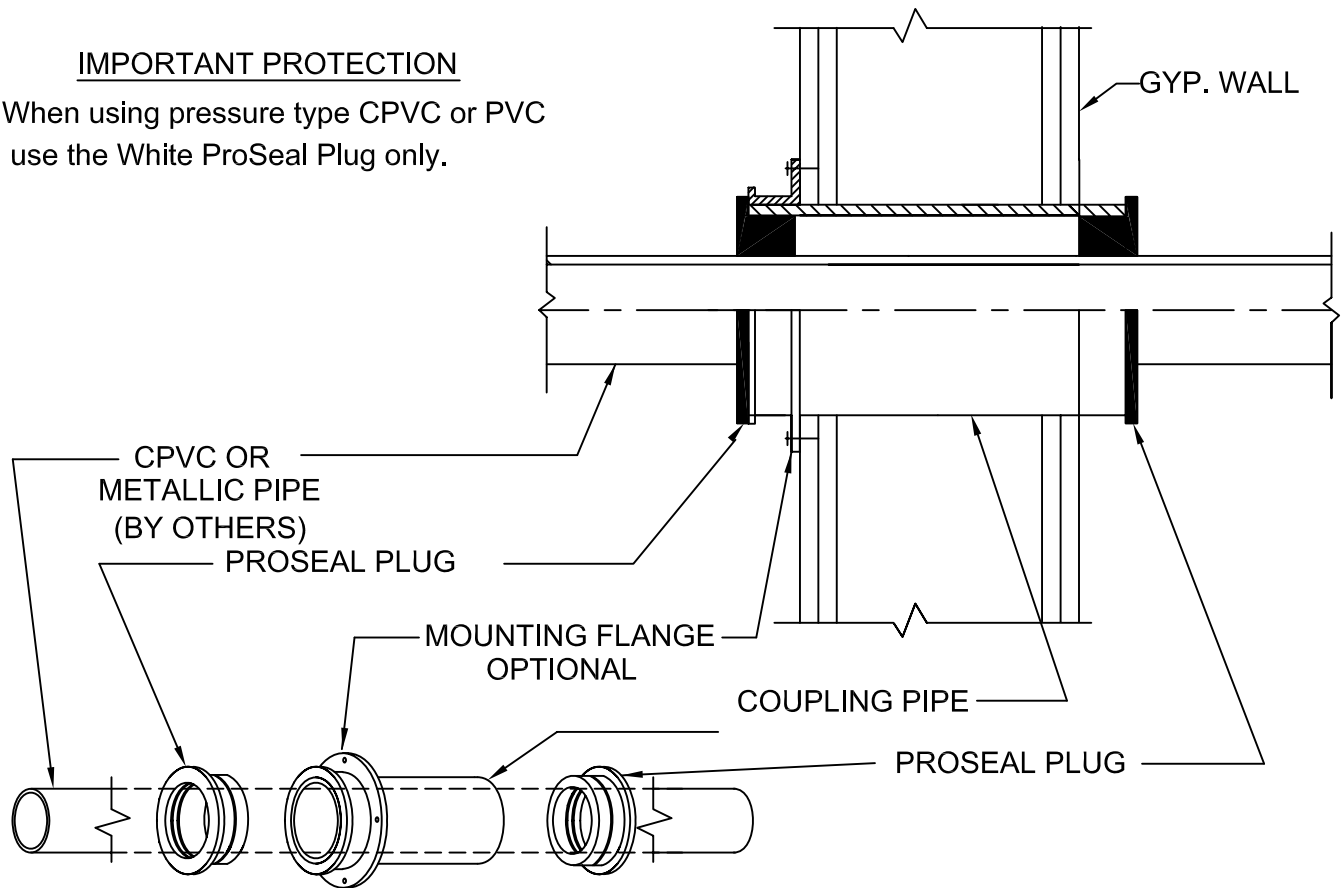


PROSEAL PLUG DEVICE

FOR 2 HR. GYPSUM WALLS

IMPORTANT PROTECTION

When using pressure type CPVC or PVC use the White ProSeal Plug only.



IMPORTANT NOTES :

1. Cut the Sleeve Coupling Pipe to extend a minimum of 1" beyond either side of the wall.
2. Cut a neat 2 3/4" hole through the drywall for a proper fit. Gaps up to 1/4" around sleeve can be filled with drywall cement.
3. The Sleeve Pipe can be anchored to the wall by solvent welding a Mounting Flange to one side and anchor to the wall through the holes in the flange or solvent welding Seal Rings on both sides of the wall. (See Drawing A-1012-F)
4. Pass the pipe through the Sleeve Coupling Pipe.
Fill the void between the pipe and the sleeve with Firefill material.
5. Install proper size split ProSet Plugs on both sides of the wall.

NOTE: See drawing A-1004-A for installation instructions of Firefill material.



W.H. Directory Reference 99 Edition
Firestop Device
W.H. Design No. PS/PV 120-01
F Rating 2 Hrs.



PROSET[®]
SYSTEMS
FIRESTOP PENETRATOR™

DATE :

1-10-06

DRG. NO.

A-1013-F