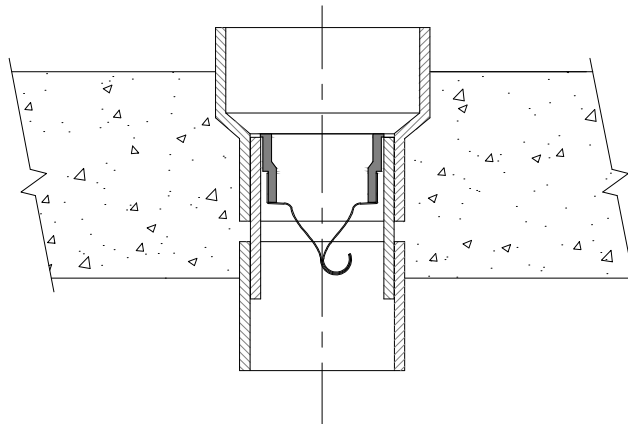


TRAP GUARD HUB/ FLOOR DRAIN

POURED CONCRETE ON GROUND FLOOR
PLUMBING CONNECTION FOR PLASTIC OR C.I. PIPING

UNDERGROUND HUB DRAIN
PLASTIC OR CAST IRON CONNECTION



- 2" X 3" HUB DRAIN WITH TRAP GUARD - PART NO. TG23HD
- 2" X 4" HUB DRAIN WITH TRAP GUARD - PART NO. TG24HD
- 3" X 4" HUB DRAIN WITH TRAP GUARD - PART NO. TG34HD
- FOR RECESSED INSIDE STRAINER ADD "RS" AFTER PART NUMBER - TG23HD-RS
- USE PROSET E-Z FLEX COUPLING CONNECTION FOR CAST IRON PIPING
FOR CAST IRON PIPE CONNECTION ADD CI AFTER PART NUMBERS - TG23HD-CI

IMPORTANT NOTES :

1. The Hub Drain comes with a Protective Cap and a 2" Trap Guard built in that drains up to 12 GPM
2. The installation is identical to any typical hub drain assembly connecting to plastic or C.I. pipe.
3. The drain should be installed approximately 1" above the concrete floor.
4. After the concrete pour, the protective cap should be removed.
5. An optional strainer is available that is recessed down 1-1/2" inside the hub.
After the above part numbers add the letters RS for a recessed strainer.
If the trap guard device should get damaged or impaired in any way, the device can be easily removed.
A puller tool attaches to the two built-in lugs inside of the Trap Guard for easy removal & replacement.

Note: Care should be taken not to touch the flexible material with the primer or solvent cement.

MAINTENANCE INSTRUCTIONS:

The Trap Guard device should be inspected periodically for build up of any type debris.
The device should then be flushed out thoroughly with clear warm water.
Not to be used on waxed or grease-laden floors.



NO FIRE RATINGS ARE
REQUIRED FOR UNDERGROUND
PIPING OR OPENINGS



PROSET[®]
SYSTEMS
FIRESTOP PENETRATOR™

DATE :
6-01-11
DRG . NO .
TG-63-HD