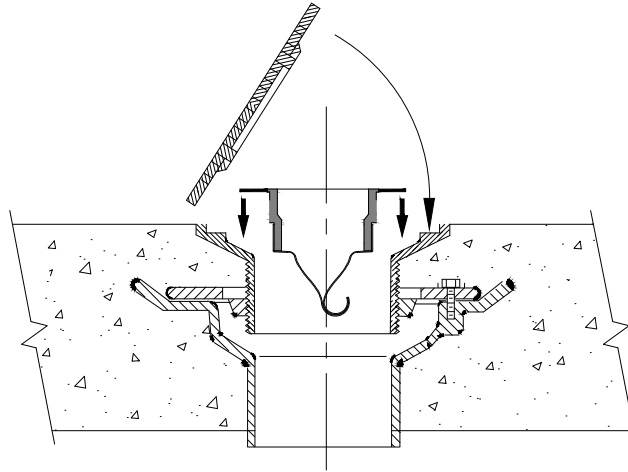


TRAP GUARD INSERT FOR EXISTING DRAINS

CAN BE USED ABOVE OR BELOW GROUND FLOOR
TRAP GUARD INSERT FITTING FITS



PART NO. TG33-ZURN 3" INSERT FITS INSIDE Z-415 DRAINS
FOR TRAP GUARDS FITTING INTO GASKET CONNECTED DRAINS, SEE DRAWING TG-23-G

IMPORTANT INSTALLATION NOTES:

1. This Trap Guard insert can be installed into any Zurn drain top to prevent sewer gas emission.
2. The extra wide flexible flange should be installed with adhesive caulk around the bottom side.
3. Most Z415 tailpieces have 4 protrusions inside the 3-1/2" opening so the caulk seal must be made under the bottom of the flange.

If the trap guard should get damaged or impaired in any way, the device can be easily removed by using a sharp screw driver under the flexible flange.

Note: Care should be taken not to touch the flexible material with the primer or solvent cement.

MAINTENANCE INSTRUCTIONS:

The Trap Guard device should be inspected periodically for build up of any type debris. The device should then be flushed out thoroughly with clear warm water.

Not to be used on waxed or grease-laden floors



NO FIRE RATINGS ARE
REQUIRED FOR UNDERGROUND
PIPING OR OPENINGS



PROSET[®]
SYSTEMS
FIRESTOP PENETRATOR™

DATE :
8-01-11
DRG . NO .
TG-33-Z