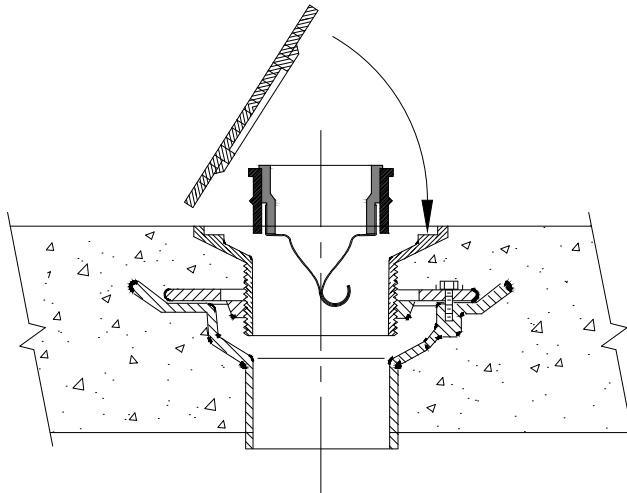


TRAP GUARD INSERT FOR EXISTING DRAINS

USED TO RETROFIT SIOUX CHIEF 842-2, 842-3 and 842-4 DRAINS



- PART NO. TG22SC 2" INSERT FITS INSIDE A 2" 842 SIOUX CHIEF STRAINER TAILPIECE
- PART NO. TG33SC 3" INSERT FITS INSIDE A 3" 842 SIOUX CHIEF STRAINER TAILPIECE
- PART NO. TG34SC 4" INSERT FITS INSIDE A 4" 842 SIOUX CHIEF STRAINER TAILPIECE

IMPORTANT INSTALLATION NOTES:

1. Remove the existing strainer off the top of the floor drain tailpiece.
2. Make sure the inside of the tailpiece is clean before inserting the Trap Guard.
3. It is necessary to use an adhesive caulk around the bottom of the TG flange for a better seal.
4. The taper on the top of the TG34SC-FL bushing flange should fit flush with the taper in the top of the tailpiece so the Trap Guard insert is not installed above the taper in the drain opening.

Note: Care should be taken not to touch the flex material with the primer or solvent cement.

MAINTENANCE INSTRUCTIONS:

The Trap Guard device should be inspected periodically for build up of any type debris. The device should then be flushed out thoroughly with clear warm water.
Not to be used on waxed or grease laden floors.



NO FIRE RATINGS ARE
REQUIRED FOR UNDERGROUND
PIPING OR OPENINGS



PROSET[®]
SYSTEMS
FIRESTOP PENETRATOR™

DATE :
8-01-11
DRG . NO .
TG-23-SC