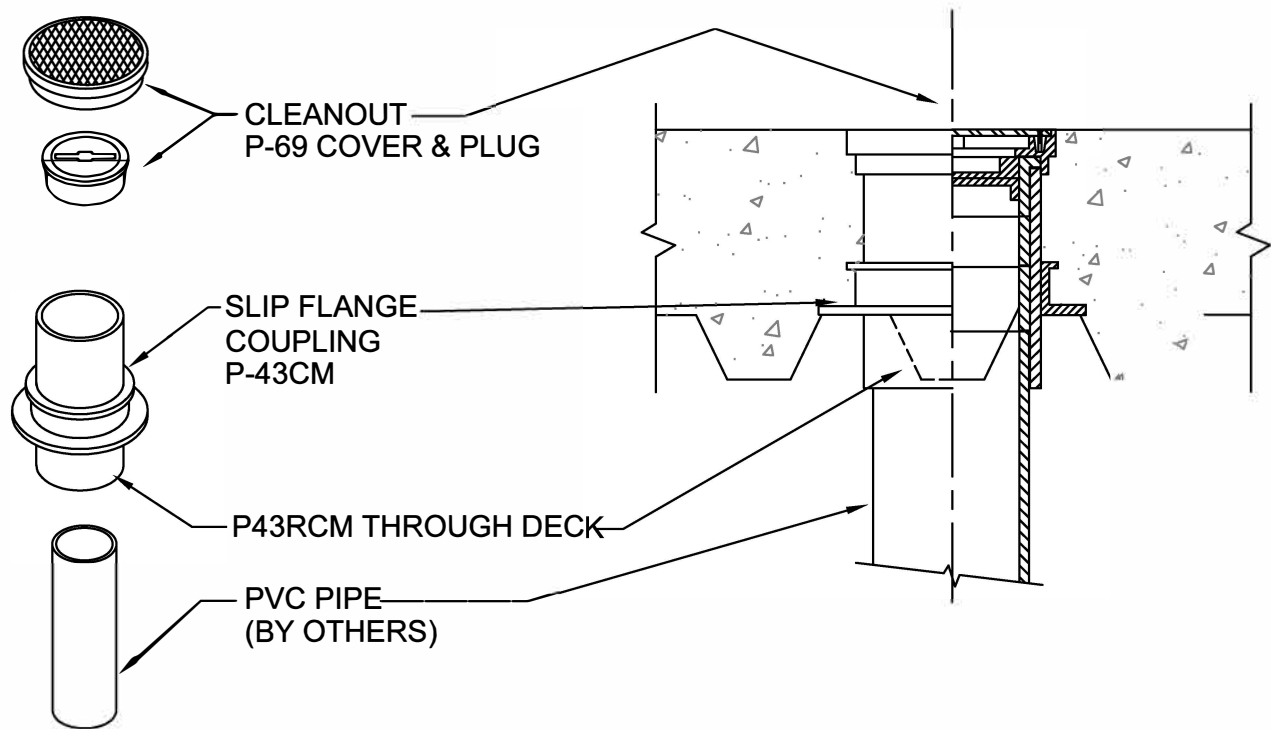


# CLEANOUT ASSEMBLY

CONCRETE ON CORRUGATED METAL  
THROUGH FLOORS



## IMPORTANT NOTES :

1. Cut the proper size hole through the corrugated metal deck.
2. Insert the cleanout stub through the metal to the bottom. If necessary use S-34348 right angle metal strips to span corrugations.
3. Use duct tape over Cleanout cover to protect during the concrete pour.
4. After the concrete pour, connect the PVC piping directly into the bottom of stub.
5. To connect to cast iron pipe, use a transitional no-hub coupling.



W.H. Directory Reference 99 Edition  
Firestop Device  
W.H. Design No. PS/PH 120-15  
F Rating 2 Hrs.



**PROSET**<sup>®</sup>  
**SYSTEMS**  
FIRESTOP PENETRATOR™

DATE :

5-31-21

DRG. NO.

C-6900-C