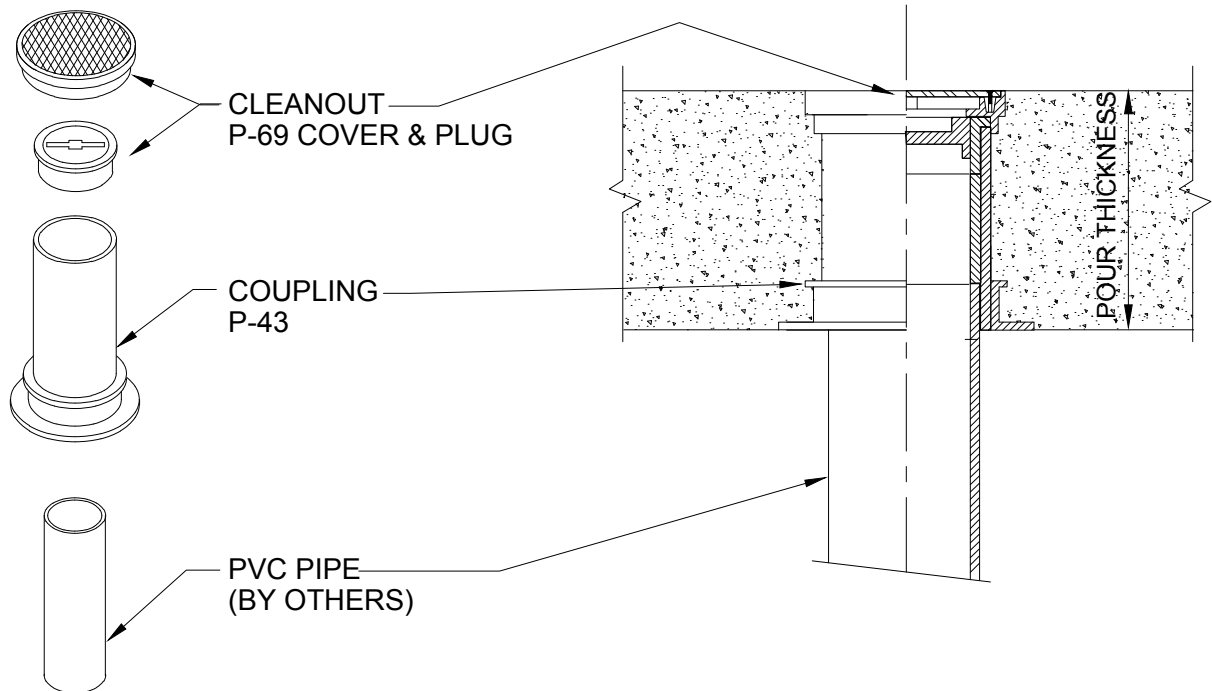


# CLEANOUT SLEEVE ASSEMBLY

CONCRETE ON WOOD FORM  
FOR FLOORS OR WALLS



SEE DRAWING NO. C-4401-B,C OR D FOR INSTALLATION  
ON TUNNEL FORM, METAL DECK OR EXISTING CONCRETE.

## IMPORTANT NOTES :

1. Order Cleanout Stub height to be flush with the finish floor.
2. Use duct tape over Cleanout cover to protect during the concrete pour.
3. After the concrete pour, connect the PVC piping directly into the bottom of stub.



W.H. Directory Reference 99 Edition  
Firestop Device  
W.H. Design No. PS/PH 120-15  
F Rating 2 Hrs.



**PROSET**<sup>®</sup>  
**SYSTEMS**  
FIRESTOP PENETRATOR™

DATE :

5-31-21

DRG . NO .  
C-6900-A