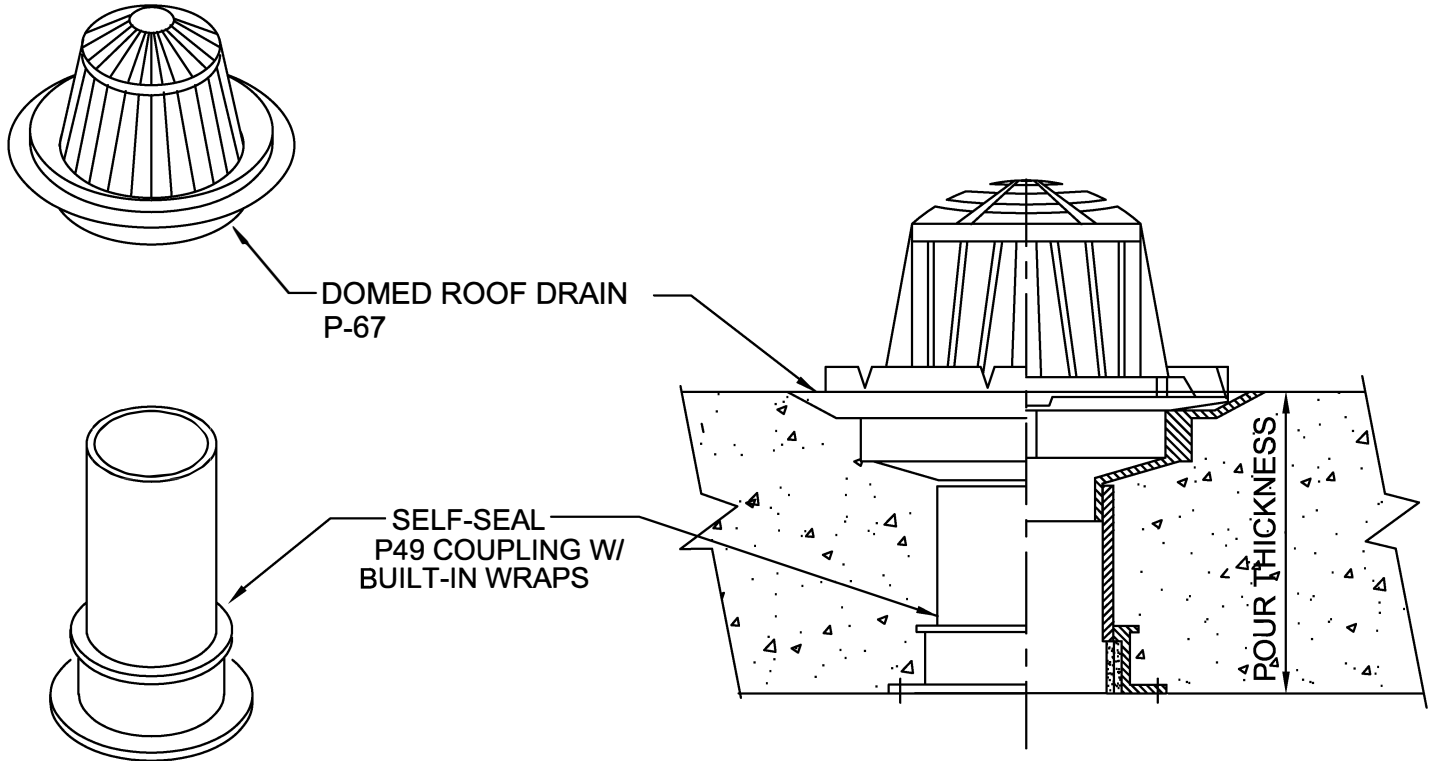


ROOF DRAIN SLEEVE ASSEMBLY

CONCRETE ON WOOD FORM
FOR FLOORS



IMPORTANT NOTES:

1. Use nails through the flange holes to mount the self-seal flange to the deck.
2. Solvent weld the roof drain assembly onto the top of the drain stub.
3. After the concrete pour, connect plastic pipe and trap to the bottom of the drain stub and complete the installation.



W.H. Directory Reference 97 Edition
Firestop Device
W.H. Design No. PS/PH 120-07
F Rating 2 Hrs.



PROSET[®]
SYSTEMS
FIRESTOP PENETRATOR™

DATE :

5-31-21

DRG . NO .

C-6710-A