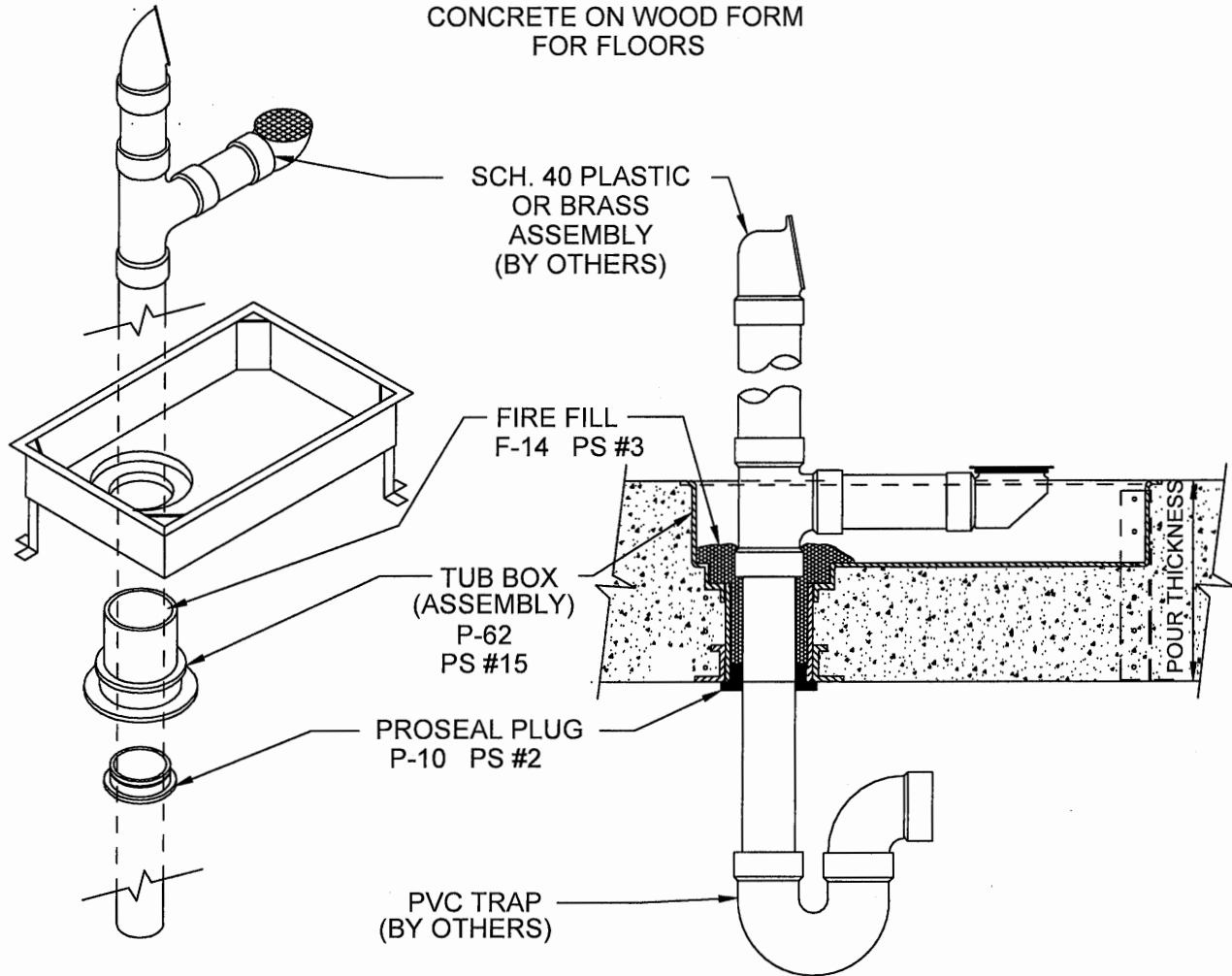


# TUB BOX SLEEVE ASSEMBLY

CONCRETE ON WOOD FORM  
FOR FLOORS



Size	Part No.	Description	Price	Unit Total
2"	P2562H	2" Tub Box assembly	19.45	
2"	C25661 or C25662	Bushing 1 1/2" pipe or tube	2.95	
	F10450	Firefill Material (Approx.)	1.00	
				23.40



W.H. Directory Reference 99 Edition  
Firestop Device  
W.H. Design No. PS/PH 120-11  
F Rating 2 Hrs.



**PROSET**<sup>®</sup>  
**SYSTEMS**  
FIRESTOP PENETRATOR™

DATE :

5-31-21

DRG. NO.

C-6211-Ap