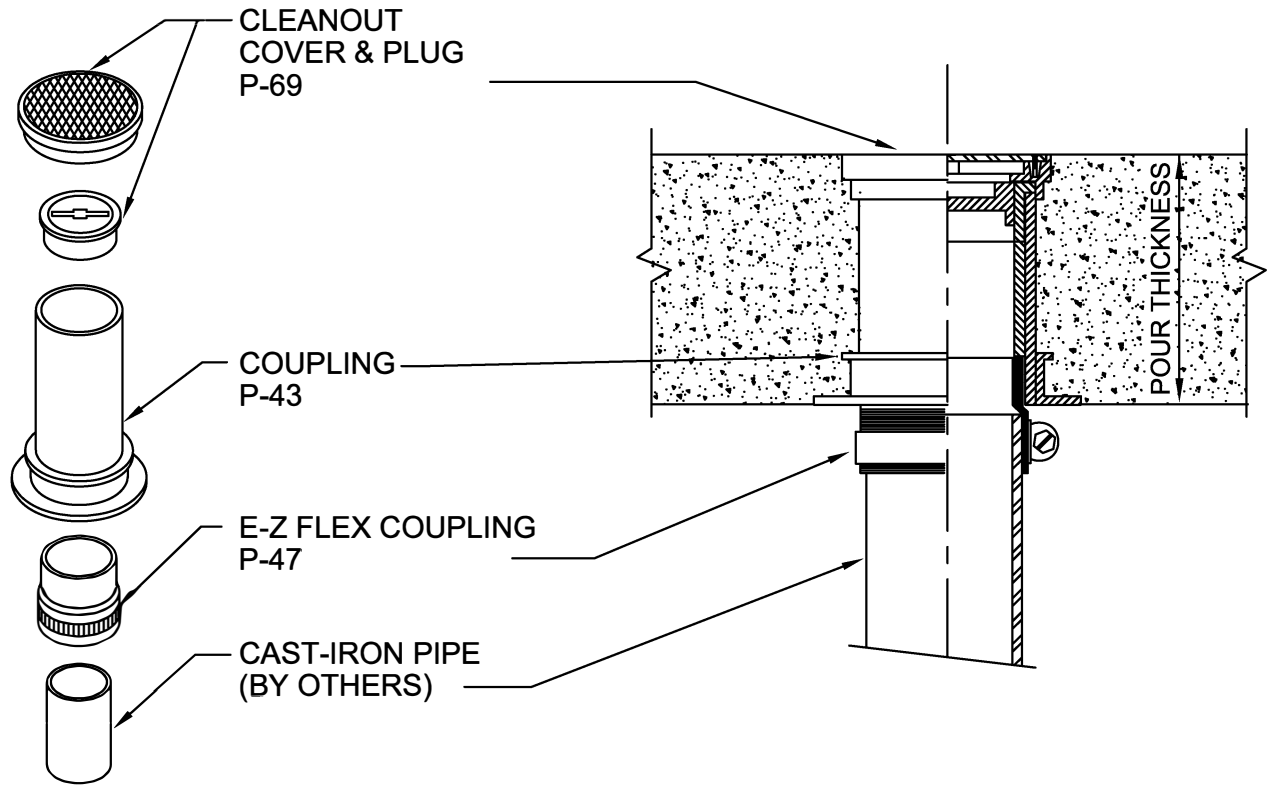


# CLEANOUT SLEEVE ASSEMBLY

CONCRETE ON WOOD FORM  
FOR FLOORS OR WALLS



SEE DRAWING NO. C-4400-B,C OR D FOR INSTALLATION  
ON TUNNEL FORM, METAL DECK OR EXISTING CONCRETE.

Size	Part No.	Description	Price	Unit Total
2"	P2569H	2" Cleanout Stub	66.55	
2"	P25470	2" E-Z Flex Coupling	4.90	71.45
3"	P3569H	3" Cleanout Stub	84.00	
3"	P35470	3" E-Z Flex Coupling	5.35	89.35
4"	P4569H	4" Cleanout Stub	88.50	
4"	P45470	4" E-Z Flex Coupling	6.70	95.20



W.H. Directory Reference 99 Edition  
Firestop Device  
W.H. Design No. PS/PH 120-13  
F Rating 2 Hrs.



**PROSET**<sup>®</sup>  
**SYSTEMS**  
FIRESTOP PENETRATOR™

DATE :  
5-31-21  
DRG. NO. B-6900-Ap