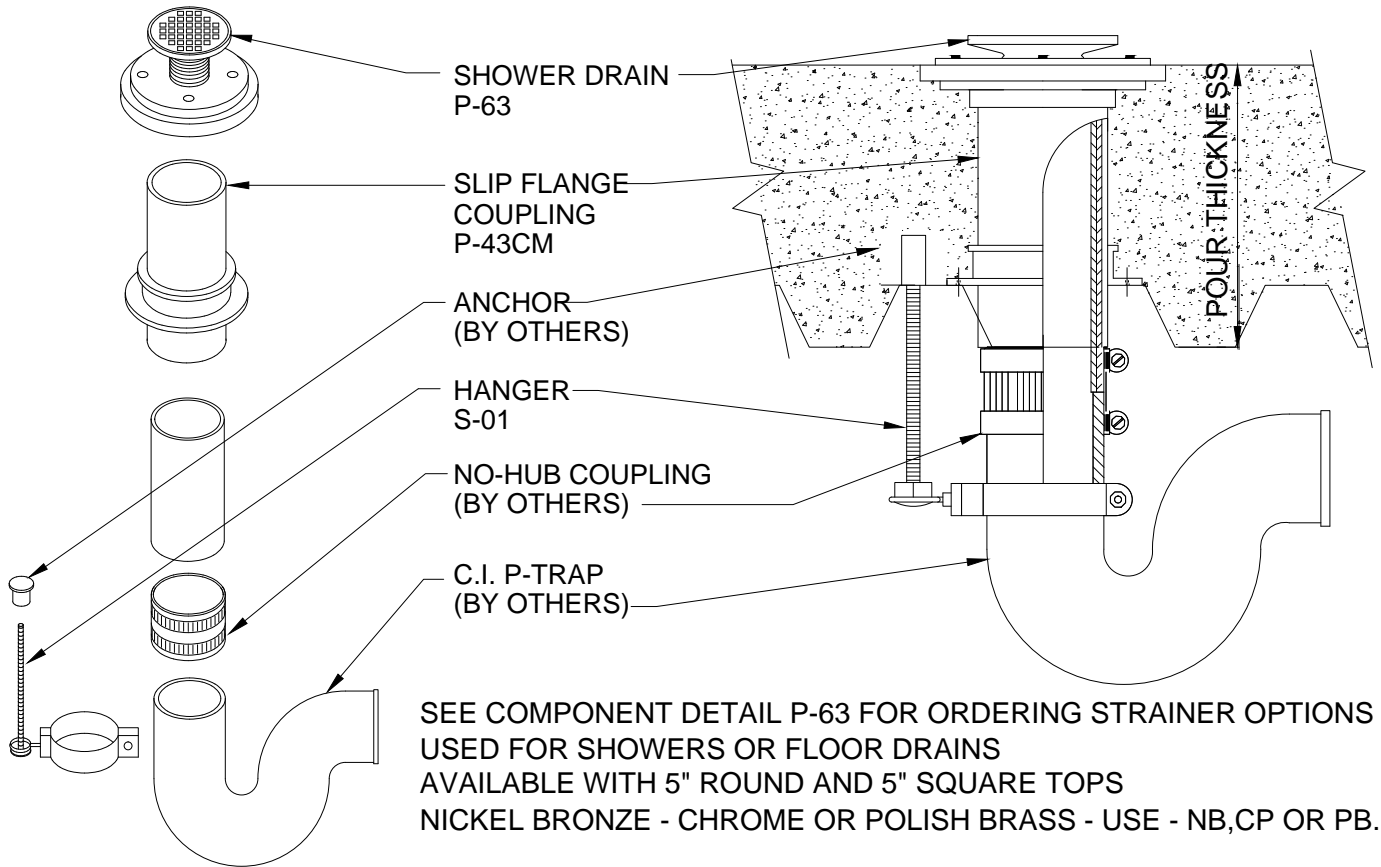


# SHOWER/FLOOR DRAIN FITTING ASSEMBLY

CONCRETE ON CORRUGATED METAL DECK  
FOR FLOORS



Size	Part No.	Description	Price	Unit Total
2"	P2563H-S / F-CM	2" Shower/Floor Drain	53.40	
2"	P25902	2" P-90 Pipe Nipple	.75	
2"	A02238	2" Hanger Assembly	5.45	
3/8"	A00138BLK	3/8" Preset Insert	1.35	
2"	S25470	2" E-Z No-Hub Coupling	3.90	64.85
3"	P3563HX-CM	3" Floor Drain	68.20	
3"	P35903	3" P-90 Pipe Nipple	1.60	
3"	A03238	3" Hanger Assembly	6.45	
3/8"	A00138BLK	3/8" Preset Insert	1.35	
3"	S35470	3" E-Z No-Hub Coupling	6.80	84.40

-S After part number is for Shower Drain. -F After part number is for Floor Drain  
Add (X) to 2" for 5 1/2" Strainer - Add (SQ) for 5" Square Strainer  
Add CP for Chrome - Add NB for Nickel Bronze Strainers



W.H. Directory Reference 97 Edition  
Firestop Device  
W.H. Design No. PS/PH 120-02  
F Rating 2 Hrs.



**PROSET**<sup>®</sup>  
**SYSTEMS**  
FIRESTOP PENETRATOR™

DATE :

5-31-21

DRG . NO .

B-6320-Cp