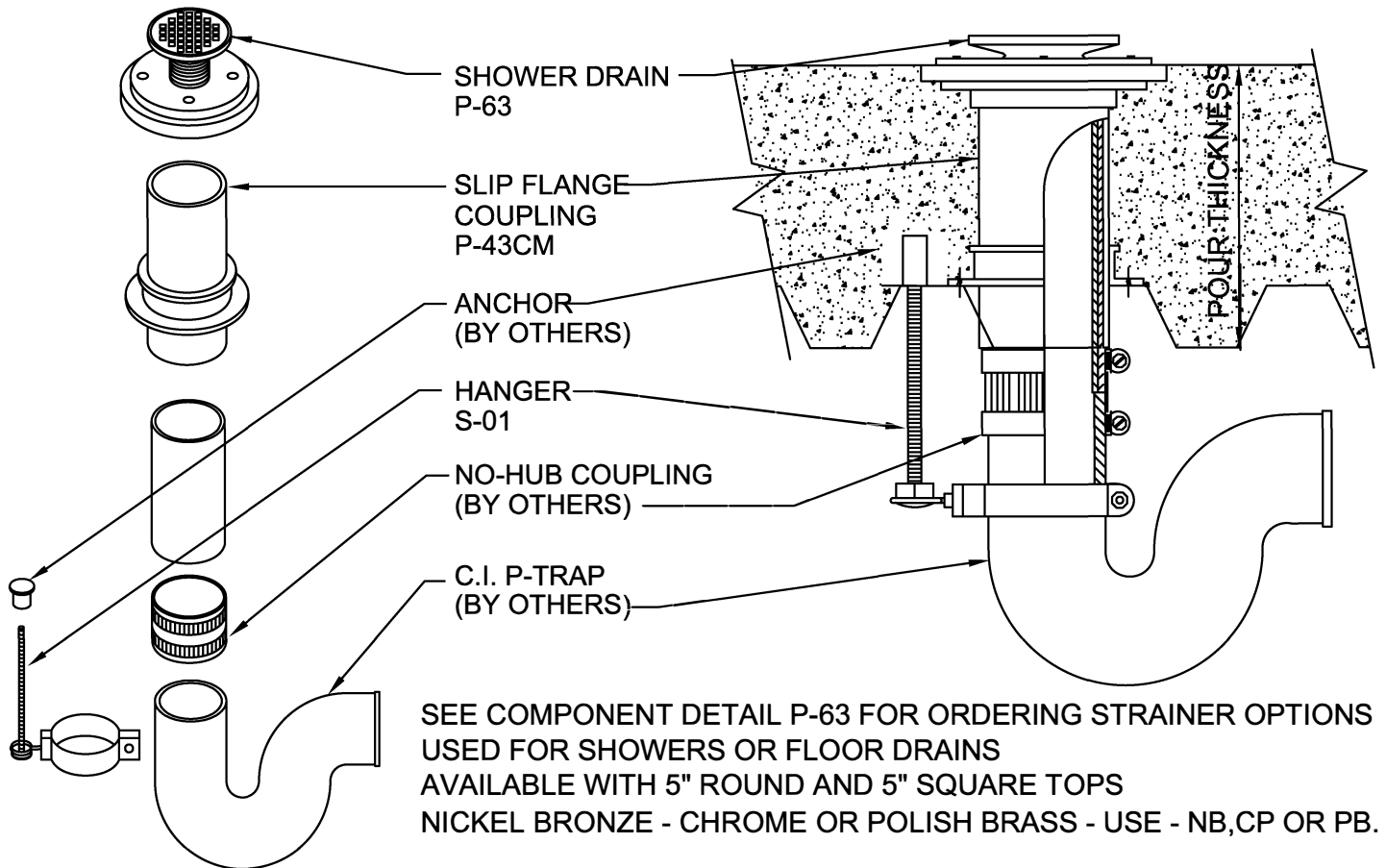


SHOWER/FLOOR DRAIN FITTING ASSEMBLY

CONCRETE ON CORRUGATED METAL DECK
FOR FLOORS



IMPORTANT NOTES :

1. Remove the clamping ring & strainer use duct tape over the top of shower base flange to protect during concrete pour for shower. Not applicable for floor drains
2. Mount to the corrugated metal deck with sheet metal screws, if necessary use a right angle metal strip to span the corrugations.
3. Drill hole for 3/8" hanger rod 1/2" away from the flange.
4. Insert & solvent weld the P-90 stub-out pipe into the bottom of drain coupling.
5. Connect the no-hub P-trap to the liner pipe w/ no-hub coupling.
6. Install the S-01 Hanger to the P-trap in a secure manner.
7. A blank ProSeal Plug can be used in top for water testing.
8. Install clamping ring to waterproofing material - insert strainer.



W.H. Directory Reference 97 Edition
Firestop Device
W.H. Design No. PS/PH 120-02
F Rating 2 Hrs.



PROSET[®]
SYSTEMS
FIRESTOP PENETRATOR™

DATE :
5 -31 -21
DRG . NO .
B-6320-C