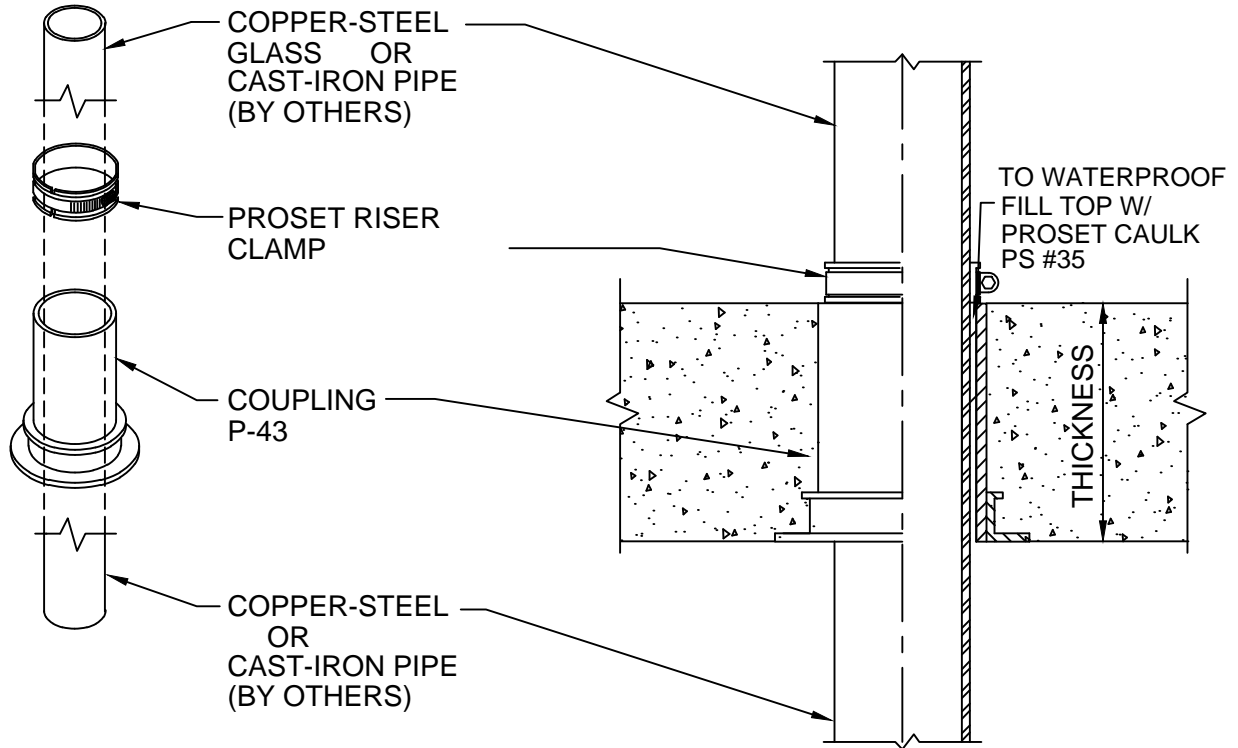



RISER CLAMP DEVICE

CONCRETE ON WOOD FORM
FOR FLOORS OR WALLS



Size	Part No.	Description	Price	Unit Total
2"	P2543H-B or G	2" Sleeve Coupling	6.50	9.45
	A02214	2" Riser Clamp	2.95	
2½"	P3843H	2½" Sleeve Coupling	11.00	14.85
	A03212	2½" Riser Clamp	3.85	
3"	P3543H-B or G	3" Sleeve Coupling	9.15	12.45
	A03214	3" Riser Clamp	3.30	
4"	P4543H-B or G	4" Sleeve Coupling	11.45	15.60
	A04214	4" Riser Clamp	4.15	
5"	P6843H	5" Sleeve Coupling	23.15	29.75
	A05214	5" Riser Clamp	6.60	
6"	P6543H-B	6" Sleeve Coupling	17.40	24.15
	A06214	6" Riser Clamp	6.75	

Use "B" Black letter sleeve pipe for cast iron, glass or steel or "G" Green for copper or plastic
Use suffix CU for copper -CI for cast iron -S for steel pipe when ordering Riser Clamps.


 W.H. Directory Reference 99 Edition
 Firestop Device
 W.H. Design No. PS/PHV 180-01
 F Rating 3 Hrs.



PROSET[®]
SYSTEMS
 FIRESTOP PENETRATOR™

DATE :
 8-01-18
 DRG . NO .
 A-1014-A