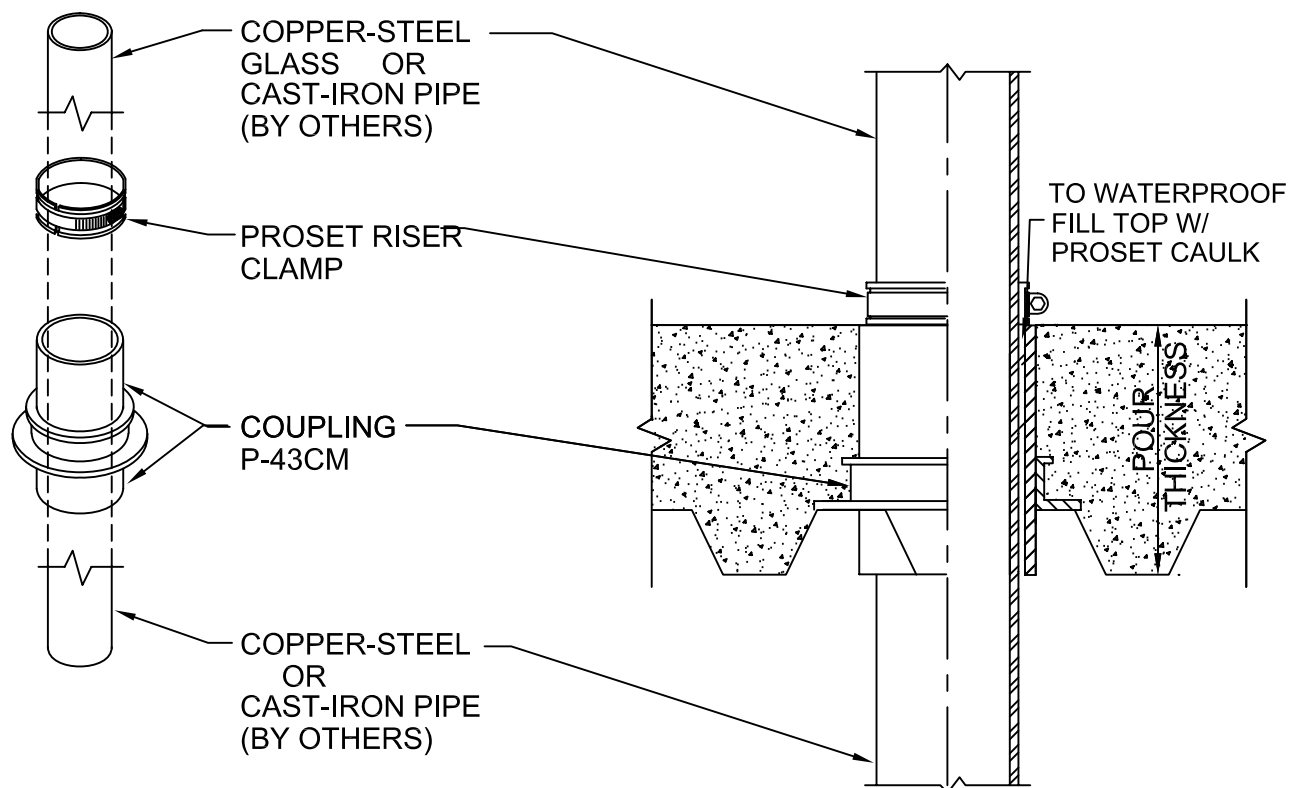


# RISER CLAMP DEVICE

CONCRETE ON CORRUGATED METAL DECK  
FOR FLOORS



## IMPORTANT NOTES :

1. Cut hole through the deck to accommodate the coupling sleeve to the bottom of corrugations.
2. Mount coupling to the metal with sheet metal screws, if necessary use a right angle metal strip to span the corrugations. See component drawing No. P-43CM.
3. After the concrete pour, remove protective cap.
4. Insert the copper, c.i. or steel pipe through the coupling.
5. Fill void at top with ProSet caulk to waterproof.
6. Install riser clamp around the pipe support and draft stop.
7. When ordering riser clamp - Use suffix CU for copper - CI for cast iron, glass or S for steel pipe.
8. Use Black letter Sleeve Pipe for steel/cast iron - Red letter pipe for copper.



W.H. Directory Reference 97 Edition  
Firestop Device  
W.H. Design No. PS/PHV 180-01  
F Rating 3 Hrs.



**PROSET**<sup>®</sup>  
**SYSTEMS**  
FIRESTOP PENETRATOR™

DATE :  
1-10-06

DRG. NO.  
A-1014-C