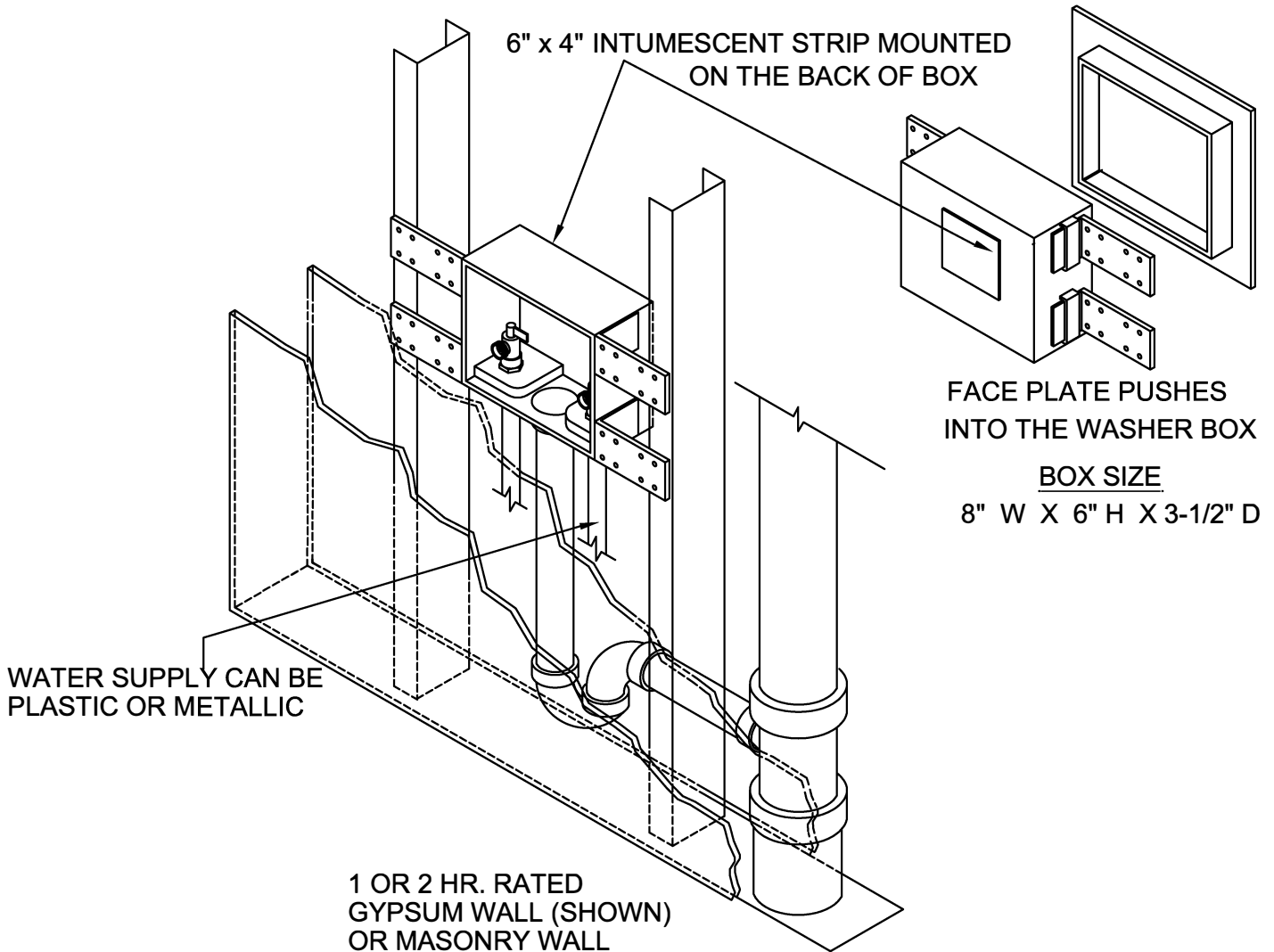


FIRE GUARD WASHER BOX

FOR GYPSUM OR MASONRY WALLS



Size	Part No.	Description	Price
2"	P25410	Fire Guard Washer Box	41.80
2"	P25410-V	Fire Guard Washer Box w/ Ball Valves	57.55
2"	P25410-VA	F. G. Washer Box w/ Ball Valves & Air Arresters	78.10
2"	P25410-I V	Fire Guard Ice Maker Box w/ Ball Valve	49.10
2"	P25410-VSG	Fire Guard Washer Box w/ Suds Guard	78.10
2"	P25410-IVA	Fire Guard Ice Maker w/ Valve & Arrester	71.40



W.H. Directory Reference 05 Edition
Firestop Device
W.H. Design No. PS/PV 120-08
F Rating 2 Hrs.



PROSET[®]
SYSTEMS
FIRESTOP PENETRATOR™

DATE :
5-31-21
DRG. NO.
C-8119-Fp