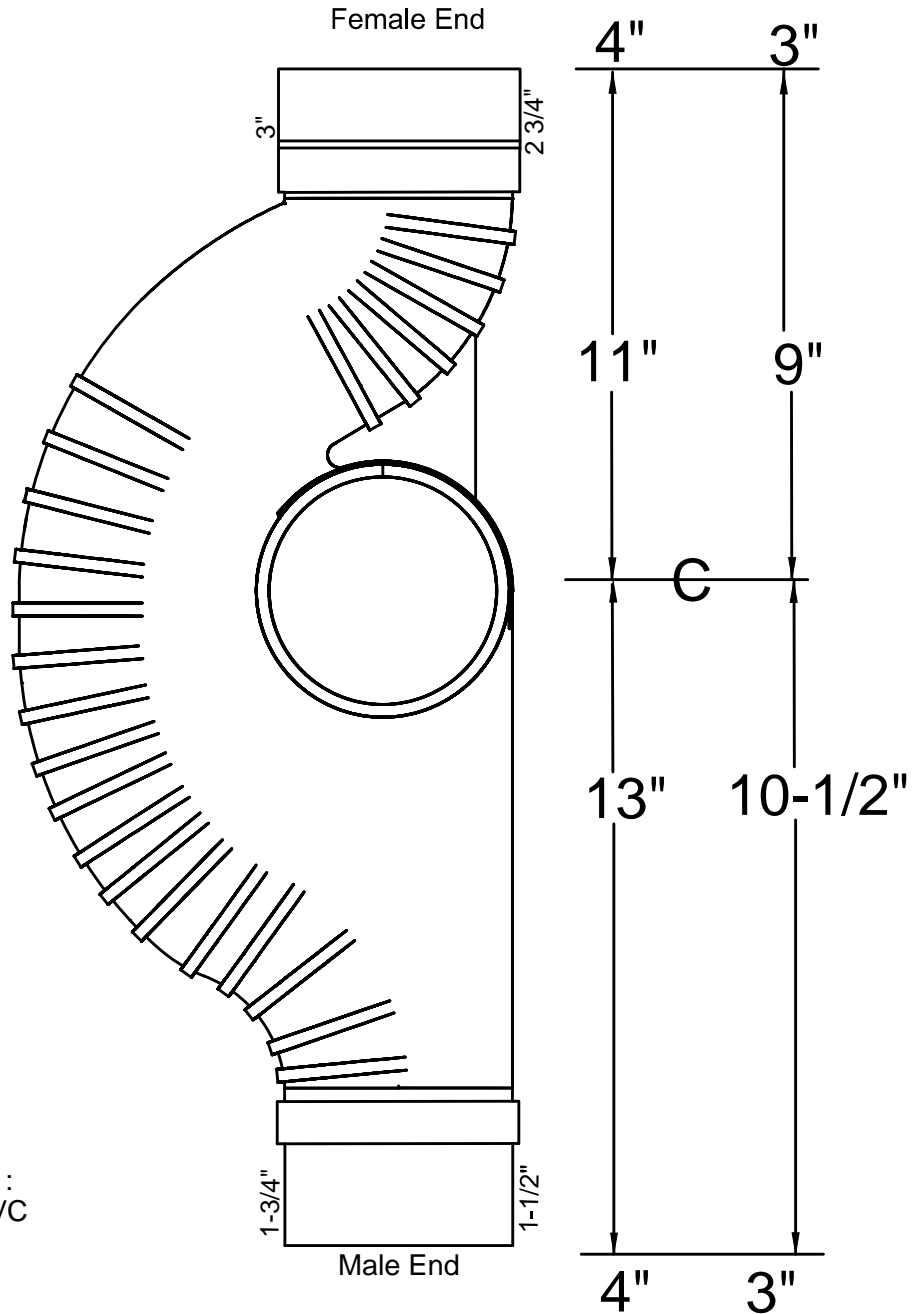


NEW 4" & 3" PROVENT STACK OPTION

4" PART NO. P4542-FM 3" PART NO. P3542-FM



MATERIAL :
TYPE 1, PVC

IAPMO IGC67-2006

FUNCTION OF COMPONENT

This fitting reduces flow velocities in plumbing stacks and controls interior air pressures that prevents siphonage and blowouts of fixture traps.
This PVC fitting greatly reduces the water noises normally associated with plastic piping systems.

**ProVent
Systems**

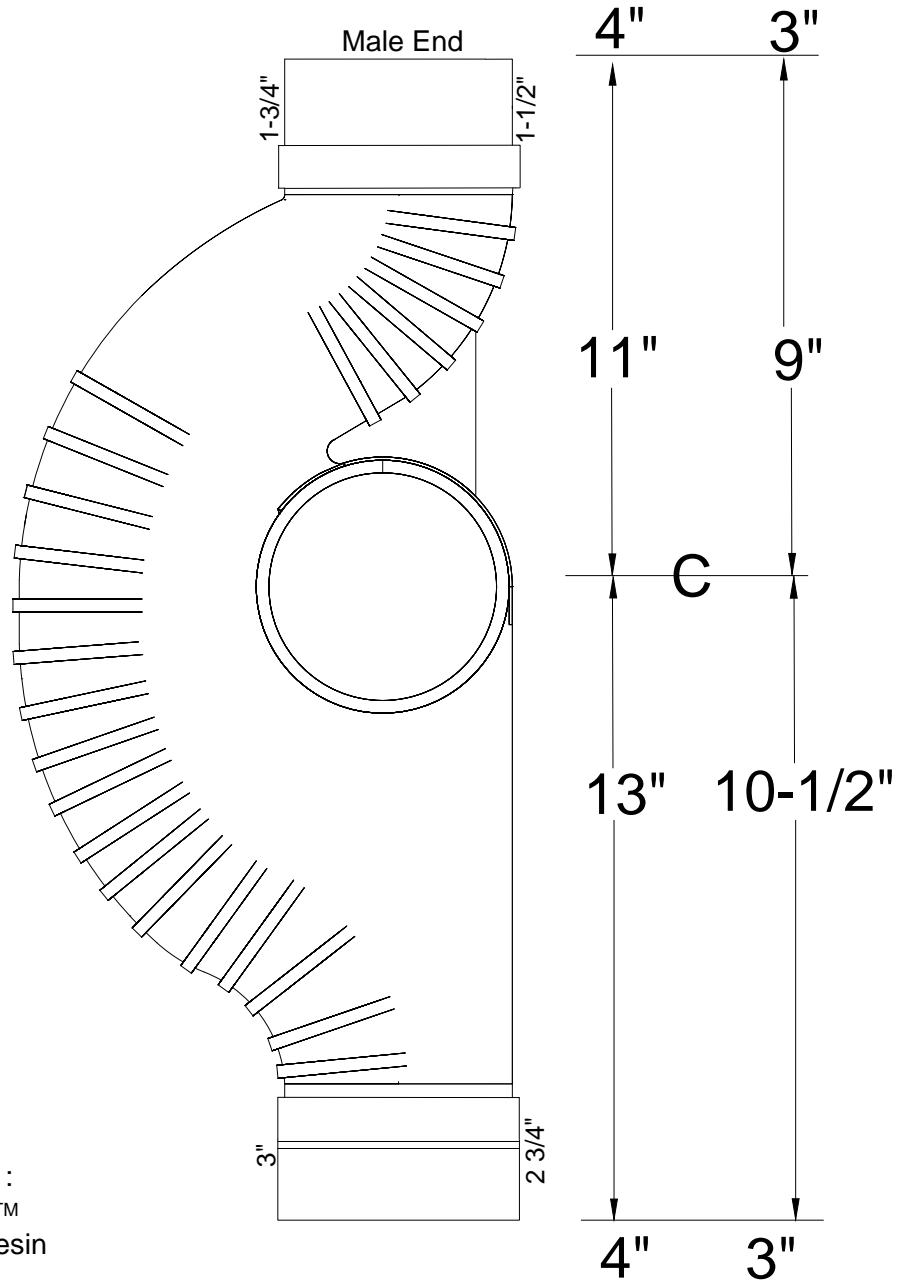
DATE :

4-27-15

DRG. NO .
P4542-FM

NEW 4" & 3" PROVENT STACK OPTION

4" PART NO. P4542-MF 3" PART NO. P3542-MF



MATERIAL :
ProTuff-42™
H.I. PVC Resin

IAPMO IGC67-2006

FUNCTION OF COMPONENT

This fitting reduces flow velocities in plumbing stacks and controls interior air pressures that prevents siphonage and blowouts of fixture traps.

This PVC fitting greatly reduces the water noises normally associated with plastic piping systems.

**ProVent
Systems**

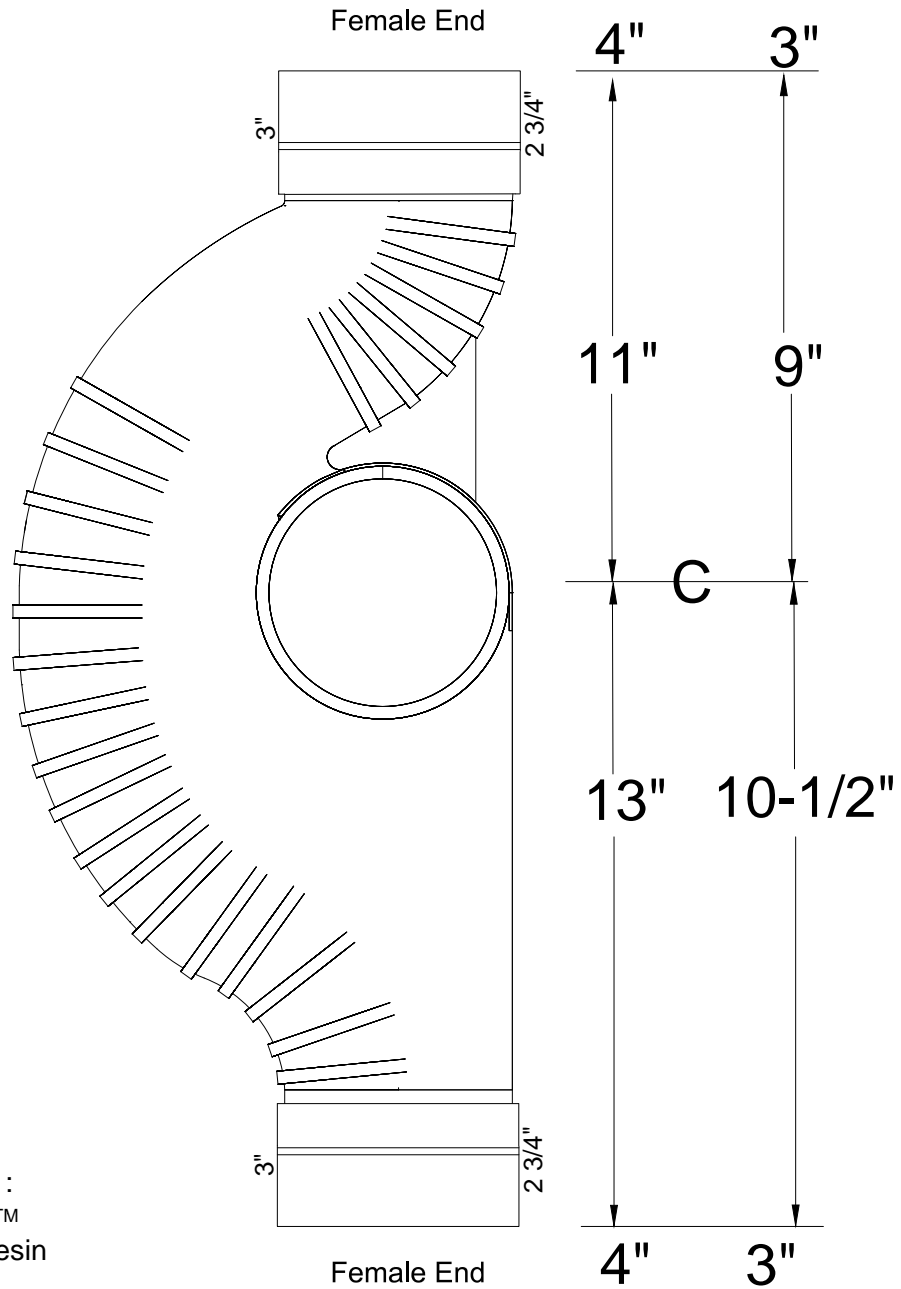
DATE :

4-27-15

DRG . NO .
P4542-MF

NEW 4" & 3" PROVENT STACK OPTION

4" PART NO. P4542-FF 3" PART NO. P3542-FF



MATERIAL :
ProTuff-42™
H.I. PVC Resin

IAPMO IGC67-2006

FUNCTION OF COMPONENT

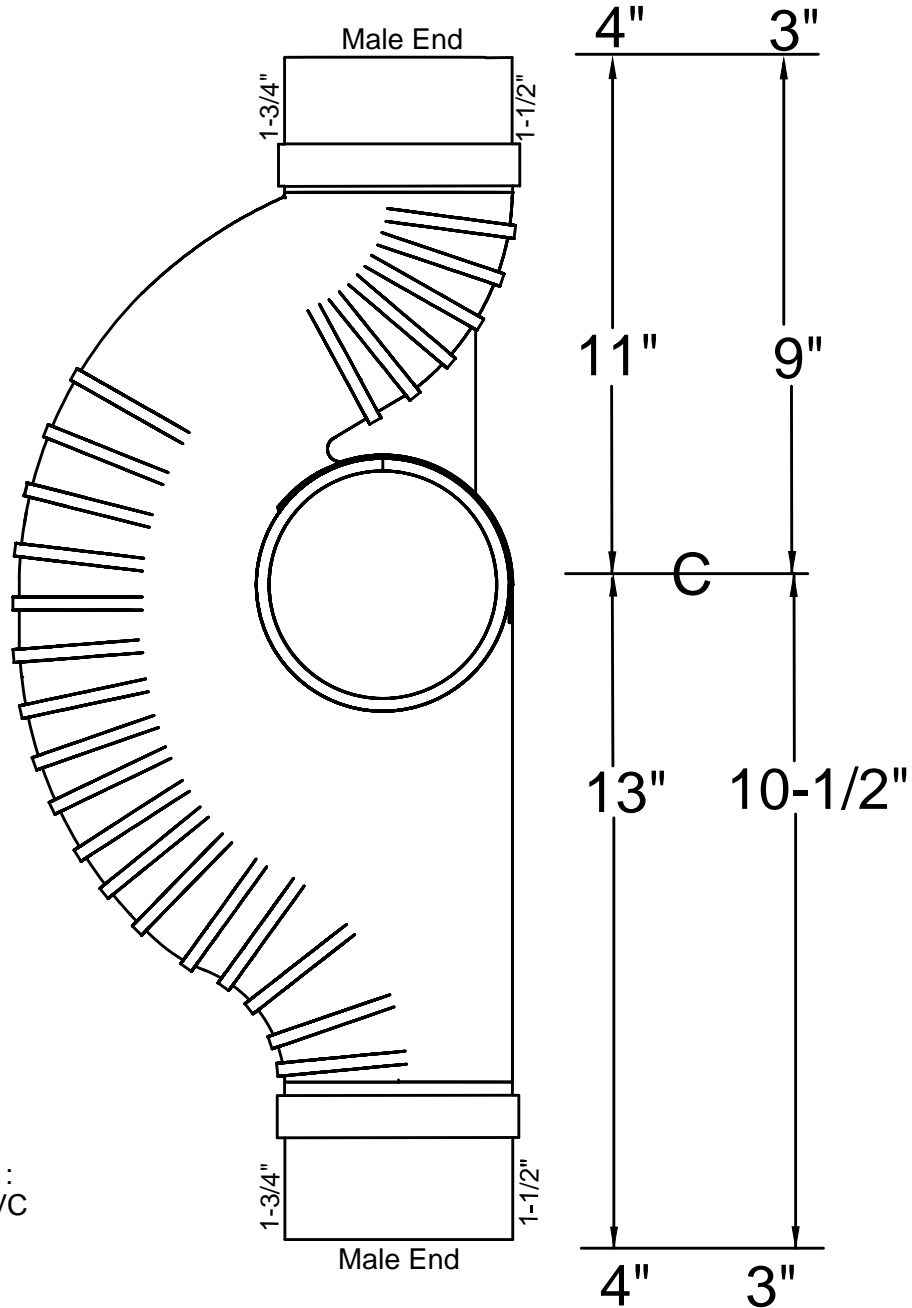
This fitting reduces flow velocities in plumbing stacks and controls interior air pressures that prevents siphonage and blowouts of fixture traps.
This PVC fitting greatly reduces the water noises normally associated with plastic piping systems.

**ProVent
Systems**

DATE :
4-27-15
DRG. NO. :
P4542-FF

NEW 4" & 3" PROVENT STACK OPTION

4" PART NO. P4542-MM 3" PART NO. P3542-MM



MATERIAL :
TYPE 1, PVC

IAPMO IGC67-2006

FUNCTION OF COMPONENT

This fitting reduces flow velocities in plumbing stacks and controls interior air pressures that prevents siphonage and blowouts of fixture traps.
This PVC fitting greatly reduces the water noises normally associated with plastic piping systems.

ProVent Systems

DATE :

4-27-15

DRG . NO .
P4542-MM