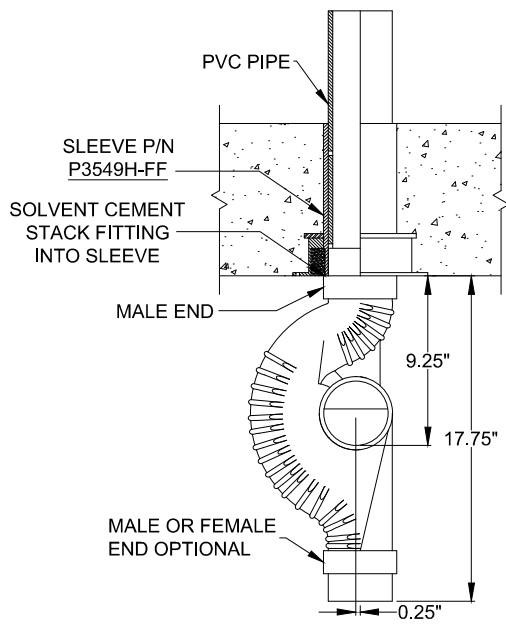
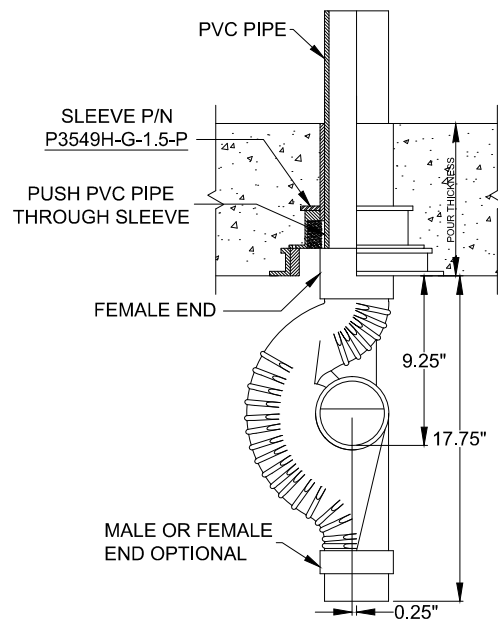


# ROUGH-IN FOR FLUSH & RECESSED 3" STACK FITTING

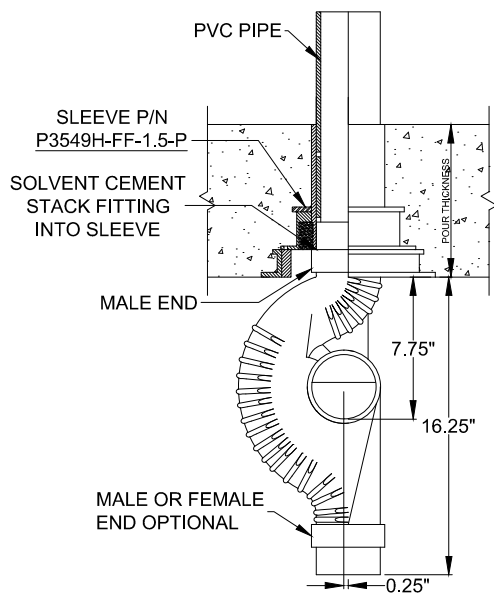
3" PROSET FIRE RATED PENETRATIONS THROUGH CONCRETE FLOORS



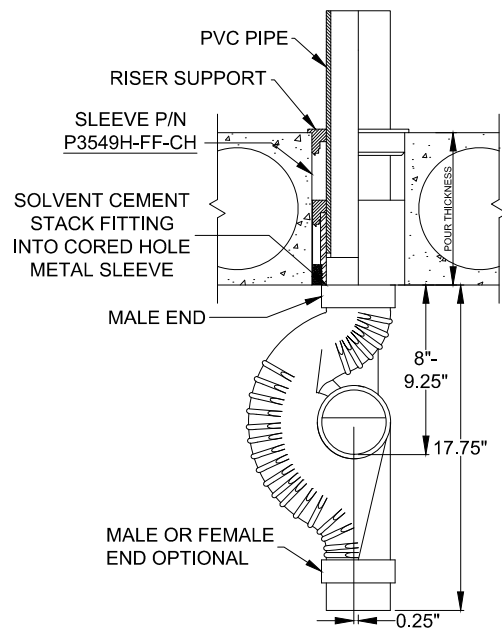
P3549H-FF \$25.50  
3" Stack Top is Male



P3549H-G-1.5-P \$34.00  
3" Stack Top is Female



P3549H-FF-1.5-P \$35.50  
3" Stack Top is Male



P3549H-FF-CH \$24.00  
3" Stack Top is Male



W.H. Directory Reference 00 Edition  
Firestop Device  
W.H. Design No. PS/PHV 180-03  
F Rating 3 Hrs.

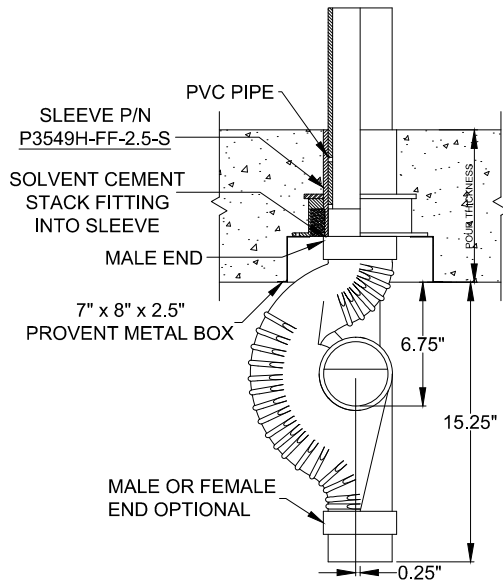


**PROSET**<sup>®</sup>  
**SYSTEMS**  
FIRESTOP PENETRATOR™

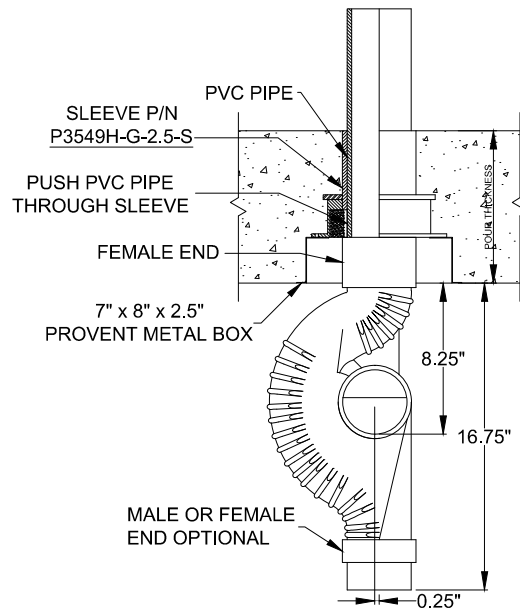
DATE :  
06-01-2017  
DRG . NO .  
P-9049-3FFR

# ROUGH-IN FOR RECESSED 3" STACK FITTING

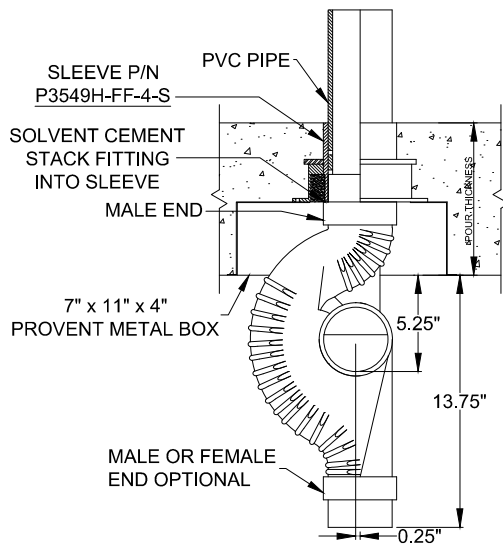
3" PROSET FIRE RATED PENETRATIONS THROUGH CONCRETE FLOORS



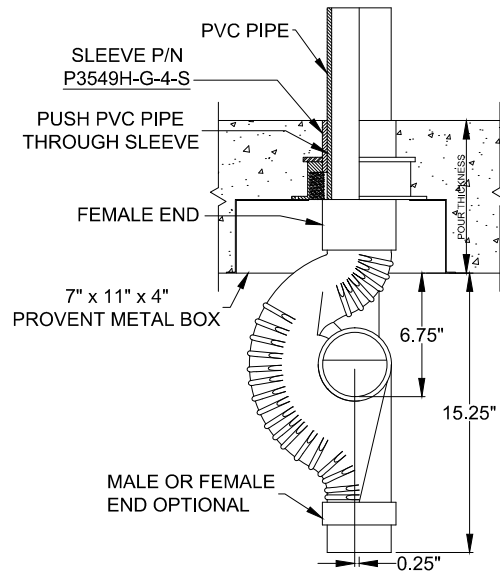
P3549H-FF-2.5-S \$47.00  
3" Stack Top is Male



P3549H-G-2.5-S \$45.50  
3" Stack Top is Female



P3549H-FF-4-S \$47.00  
3" Stack Top is Male



P3549H-G-4-S \$45.50  
3" Stack Top is Female



W.H. Directory Reference 00 Edition  
Firestop Device  
W.H. Design No. PS/PHV 180-03  
F Rating 3 Hrs.



**PROSET**<sup>®</sup>  
**SYSTEMS**  
FIRESTOP PENETRATOR<sup>™</sup>

DATE :  
06-01-2017  
DRG . NO .  
P-9049-3R