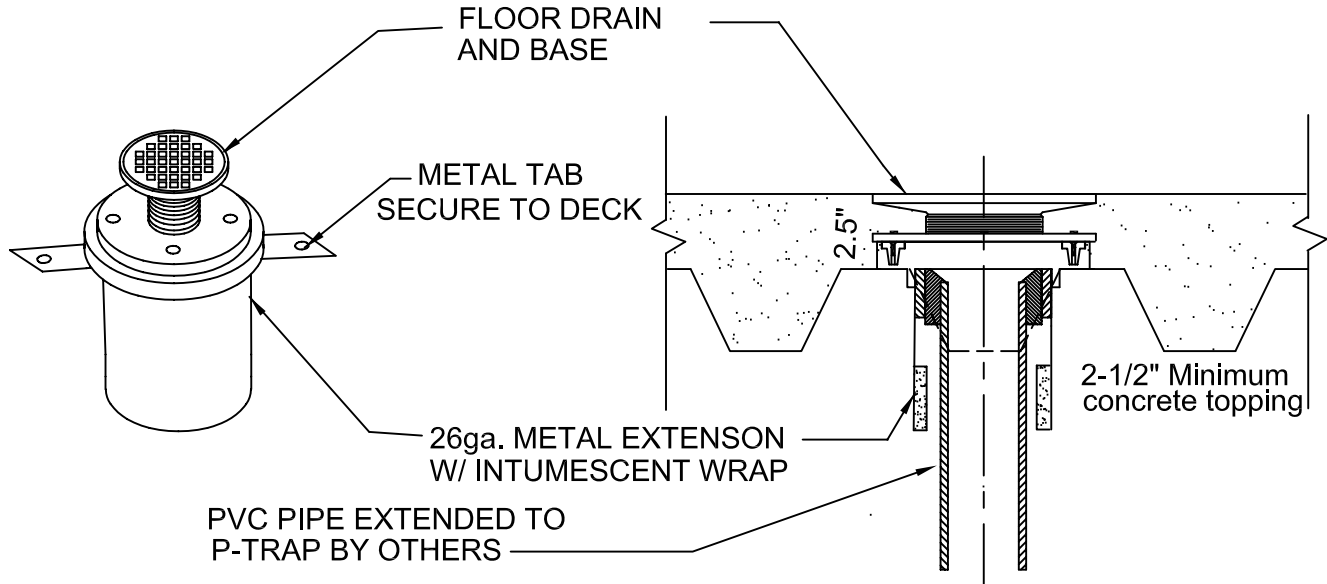


T-RITE FLOOR/SHOWER DRAIN

CONCRETE ON CORRUGATED METAL DECK
FOR FLOORS



SEE T-RITE STRAINER TOPS FOR VARIOUS TYPES AND SIZE STRAINER OPTIONS.

SEE DRAWINGS T-6300-A FOR CONCRETE ON WOOD FORMS & T-6300-D FOR CORED HOLE

Size	Part No.	Description	Price
2"	SS-2560-H-CM	2" Shower Drain Less tail piece & strainer	34.00
2"	SF-2560-H-CM	2" Floor Drain Less tail piece & strainer	34.00
3"	SF-3560-H-CM	3" Floor Drain Less tail piece & strainer	42.00

SEE T-RITE STRAINER TOPS FOR VARIOUS TYPES AND SIZE STRAINER OPTIONS.

Consult Sales Representative for current Strainer pricing.



W.H. Directory Reference 08 Edition
Firestop Device
W.H. Design No. PS/PH 120-18
F & T Rating 2 Hrs.



PROSET[®]
SYSTEMS
FIRESTOP PENETRATOR™

DATE :

7-10-11

DRG. NO.

T-6330-C