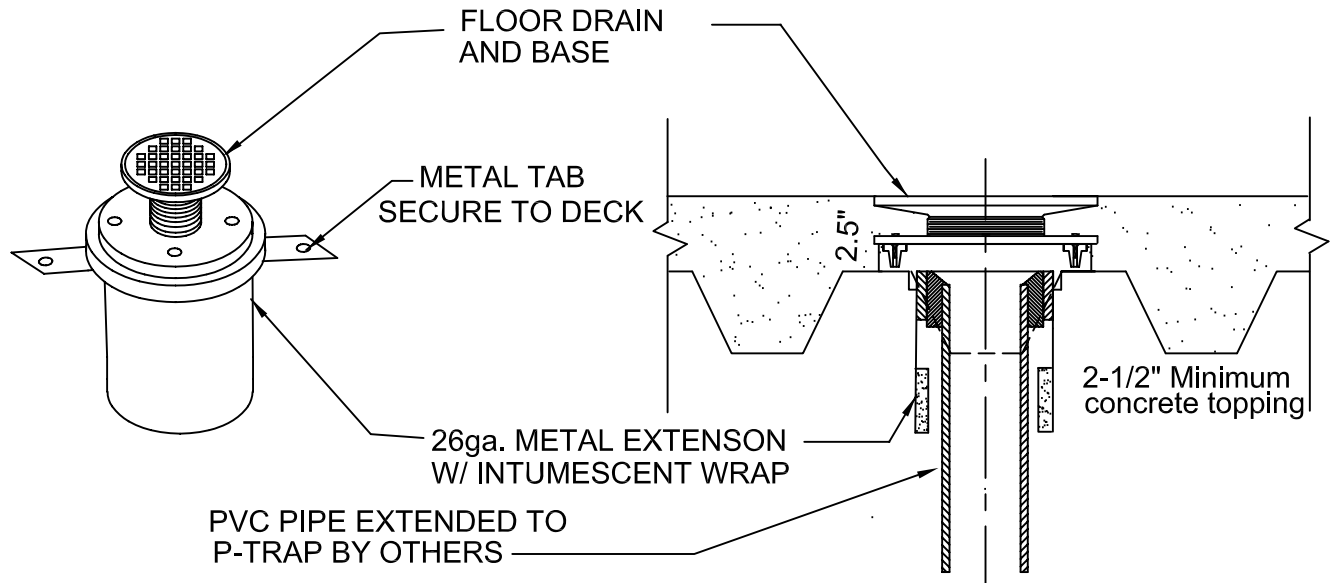


# T-RITE FLOOR/SHOWER DRAIN

CONCRETE ON CORRUGATED METAL DECK  
FOR FLOORS



SEE T-RITE STRAINER TOPS FOR VARIOUS TYPES AND SIZE STRAINER OPTIONS.

SEE DRAWINGS T-6300-A FOR CONCRETE ON WOOD FORMS & T-6300-D FOR CORED HOLE

## IMPORTANT NOTES:

1. Cut a 4-1/2" hole for 2" and a 6" hole for 3" size drain through the corrugated metal deck. The metal sleeve should extend down 3-1/2" from the top of the corrugated deck.
2. Mount the # 49 flange to the corrugated metal deck with sheet metal screws. If necessary use a right angle metal strip, S-34348, to span the corrugations.
3. After the pour, set the waterproof pan with the clamping ring when using as a shower drain.
4. Solvent cement the 2" or 3" plastic pipe into the socket that is up inside the sleeve to the proper length to connect the P-Trap to the drain to finish the installation.



W.H. Directory Reference 08 Edition  
Firestop Device  
W.H. Design No. PS/PH 120-18  
F & T Rating 2 Hrs.



**PROSET**<sup>®</sup>  
**SYSTEMS**  
FIRESTOP PENETRATOR™

DATE :  
8-16-08

DRG. NO.  
T-6330-C