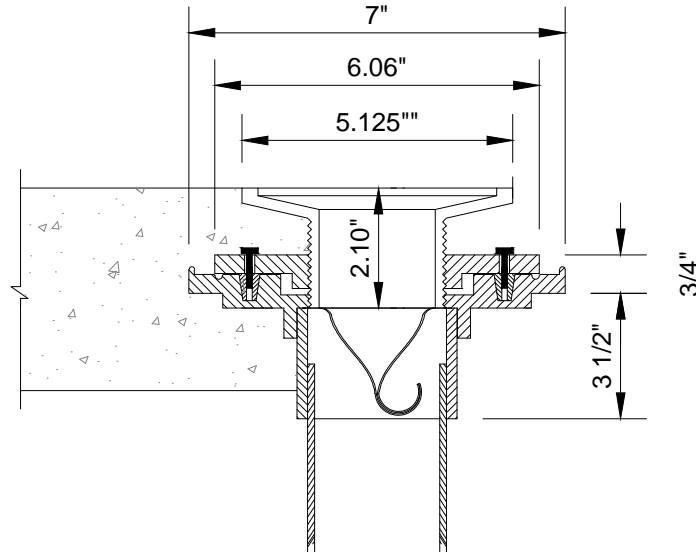


TRAP GUARD FLOOR DRAIN

POURED CONCRETE ON GROUND FLOOR
PLUMBING CONNECTION FOR PLASTIC OR C.I. PIPING

UNDERGROUND FLOOR DRAIN
PLASTIC OR CAST IRON CONNECTION



- 5" ROUND NICKEL BRONZE TOP - (2") T25630-F-P (3") T35630-F-P (4") T45630-F-P
- 5" ROUND CHROME TOP - (2") T25630-F-P-CP (3") T35630-F-P-CP (4") T45630-F-P-CP
- 5" SQUARE NICKEL BRONZE TOP - (3") T35630-F-P-SQ (4") T45630-F-P-SQ
- 9" DIA. HEAVY DUTY CAST IRON GRATE TOP - (3") T3565X-F-P (4") T4565X-F-P
- USE PROSET E-Z FLEX COUPLING CONNECTION FOR CAST IRON PIPING
FOR CAST IRON PIPE CONNECTION ADD CI IN PLACE ON P IN ABOVE PART NUMBERS

IMPORTANT NOTES :

1. The Trap Guard Device is an integral part of the ProSet Floor Drain and comes as a complete unit.
2. The installation is identical to any typical floor drain assembly connecting to plastic or C.I. pipe.
3. The drain comes with a protective plastic strainer cover and a heavy plug underneath the strainer top.
4. After the concrete pour, the plastic strainer cover should be removed.
5. A factory installed elastomeric plug protects the Trap Guard Device during construction and can be used as a test plug and must be removed before normal drain usage.
If the trap guard device should get damaged or impaired in any way, the device can be easily removed. A puller tool attaches to the two built-in lugs inside of the Trap Guard for easy removal & replacement. Not to be used on waxed or grease-laden floors.

Note: Care should be taken not to touch the flexible material with primer or solvent cement.

MAINTENANCE INSTRUCTIONS:

The Trap Guard device should be inspected periodically for build up of any type debris. The device should then be flushed out thoroughly with clear warm water.



NO FIRE RATINGS ARE
REQUIRED FOR UNDERGROUND
PIPING OR OPENINGS



PROSET[®]
SYSTEMS
FIRESTOP PENETRATOR™

DATE :
8-01-11
DRG . NO .
C-6331-UTG