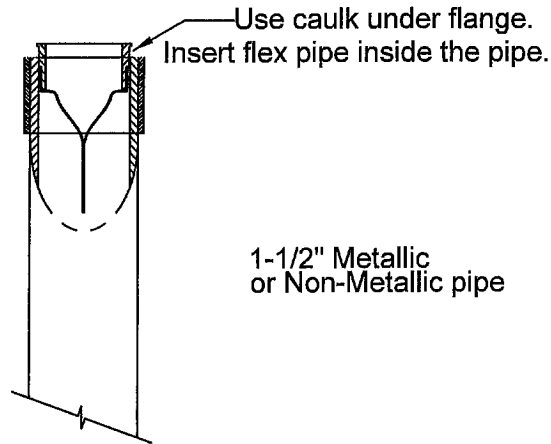


1-1/2" TRAP GUARD DEVICE

PREVENTS SEWER GAS BACK UPS
FOR SINK OPENINGS



IMPORTANT NOTES :

1. This Trap Guard fits inside a metallic or non-metallic 1-1/2" pipe.
2. Install a bead of adhesive Caulk around the bottom of flange to seal the device.
3. Insert the Trap Guard device into the smaller 1-1/2" pipe.
4. Make sure the bottom of the Trap Guard does not extend into the water seal of the trap.

MAINTENANCE INSTRUCTIONS:

The Trap Guard device should be inspected periodically for build up of any type debris. The device should then be flushed out thoroughly with clear warm water. Not to be used on waxed or grease laden floors. Flow Rate is 6 GPM.



NO FIRE RATING REQUIRED



PROSET[®]
SYSTEMS
FIRESTOP PENETRATOR™

DATE :
7-10-11
DRG . NO .
C-8122-F