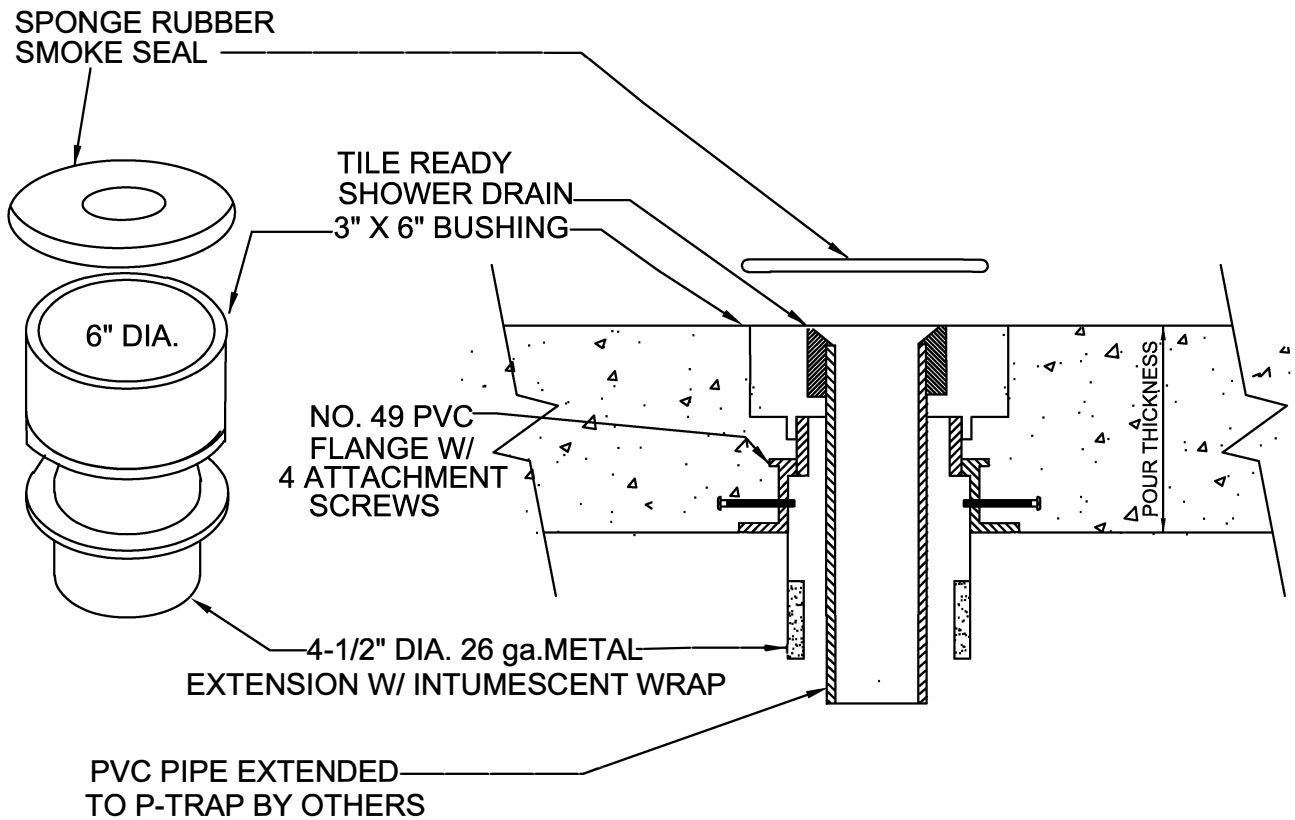


T-RITE TILE READY SHOWER DRAIN

CONCRETE ON WOOD FORM
FOR FLOORS



SEE DRAWING T-6330-C FOR METAL DECKS & T-6330-D FOR CORED HOLES.

Size	Part No.	Description	Price
2"	SS2566H-TRF	2" Cast-in Tile Ready Shower Drain	\$ 37.40
	SR-73SS	7" X 3" Smoke Seal	\$ 3.60



W.H. Directory Reference 08 Edition
Firestop Device
W.H. Design No. PS/PH 180-06
F & T Rating 3 & 2 Hrs.



PROSET[®]
SYSTEMS
FIRESTOP PENETRATOR™

DATE :
1-1-13
DRG . NO .
T-6330-ATR