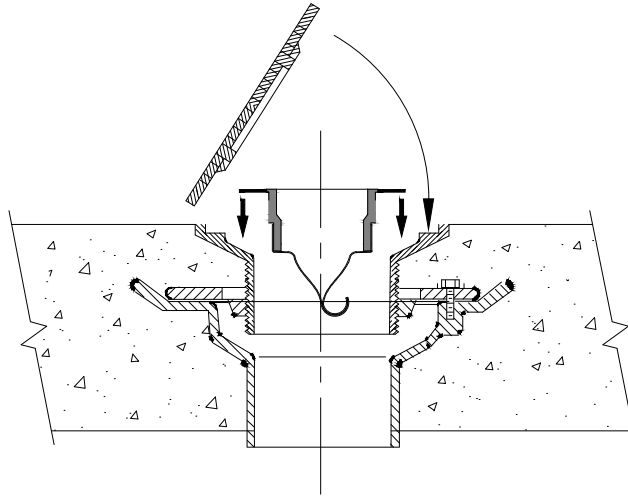


TRAP GUARD INSERT FOR EXISTING DRAINS

CAN BE USED ABOVE OR BELOW GROUND FLOOR
PLUMBING CONNECTION FOR PLASTIC OR C.I. PIPING

TRAP GUARD INSERT FITTING FITS
MOST 4" SIZE TAILPIECE DRAINS



PART NO. TG34TP 3" X 4" INSERT FITS INSIDE MOST 4" TAILPIECES

IMPORTANT INSTALLATION NOTES:

1. This Trap Guard insert can be installed into most 4" tailpieces to prevent sewer gas emission.
2. The extra wide flexible flange should be installed with adhesive caulk around the bottom side.
3. After caulking the bottom, insert the unit and secure into the tapered tailpiece .

If the trap guard should get damaged or impaired in any way, the device can be easily removed by using a sharp screw driver under the flexible flange.

Note: Care should be taken not to touch the flexible material with the primer or the solvent cement.

MAINTENANCE INSTRUCTIONS:

The Trap Guard device should be inspected periodically for build up of any type debris. The device should then be flushed out thoroughly with clear warm water.

Not to be used on waxed or grease-laden floors



NO FIRE RATINGS ARE
REQUIRED FOR UNDERGROUND
PIPING OR OPENINGS



PROSET[®]
SYSTEMS
FIRESTOP PENETRATOR™

DATE :
6-01-11
DRG . NO .
TG-34-TP