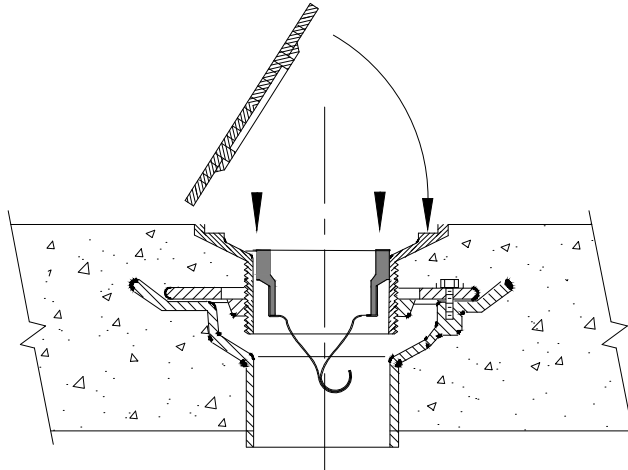


TRAP GUARD INSERT FOR EXISTING DRAINS

CAN BE USED ABOVE OR BELOW GROUND FLOOR

TRAP GUARD INSERT FITTING FITS
WADE 1100 TAILPIECE DRAIN



PART NO. TG33-WADE 3" INSERT FITS INSIDE 1100 3" & 4" DRAINS
FOR TRAP GUARDS FITTING INTO GASKET CONNECTED DRAINS, SEE DRAWING TG-23-G

IMPORTANT INSTALLATION NOTES:

1. This Trap Guard insert can be installed into any Wade 1100 drain top to prevent sewer gas emission.
2. The small flange on the top needs to have an adhesive caulk around its bottom edge before insertion.
3. When using on a 2" Wade bottom connection, use a TG22-P for plastic or a TG22-IP for cast iron use adhesive caulk under the bottom edge of the flange.

If the trap guard should get damaged or impaired in any way, the device can be easily removed by using a sharp screw driver under the flange.

Note: Care should be taken not to touch the flexible material with the primer or solvent cement.

MAINTENANCE INSTRUCTIONS:

The Trap Guard device should be inspected periodically for build up of any type debris. The device should then be flushed out thoroughly with clear warm water.

Not to be used on waxed or grease-laden floors



NO FIRE RATINGS ARE
REQUIRED FOR UNDERGROUND
PIPING OR OPENINGS



PROSET[®]
SYSTEMS
FIRESTOP PENETRATOR™

DATE :
8-01-11
DRG . NO .
TG-33-WADE