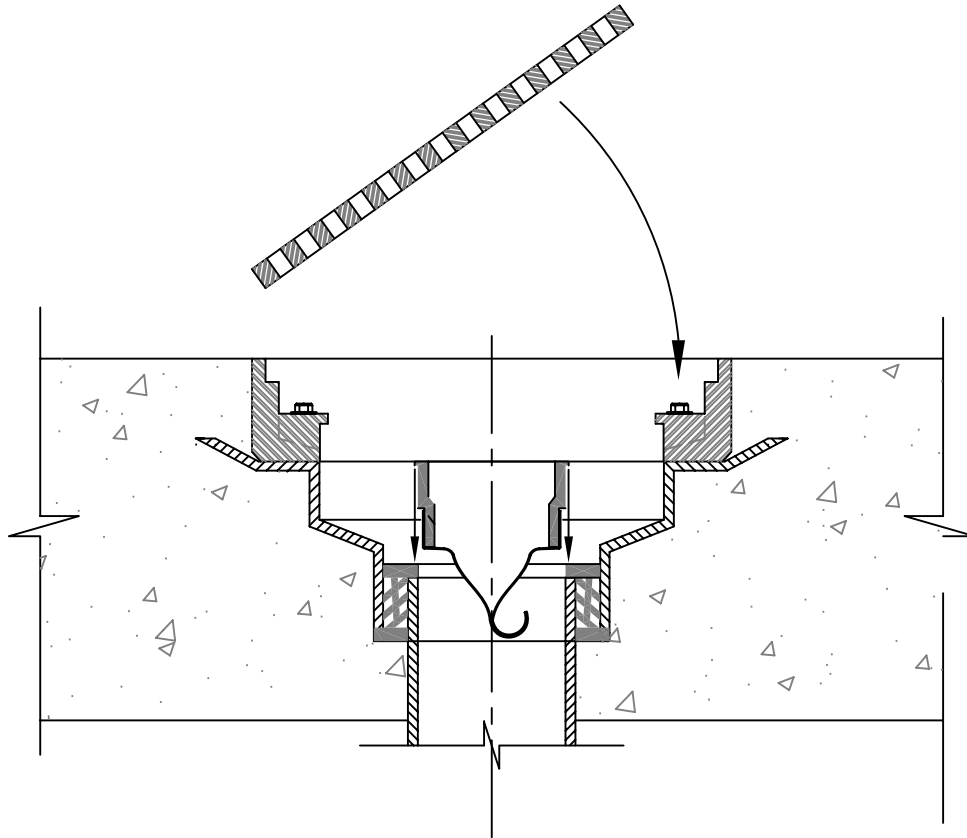


TRAP GUARD DRAIN INSERT PROTECTION

USED WHEN THE CONNECTING PIPE IS MADE WITH A GASKET CONNECTION



- PART NO. TG22G 2" INSERT FITS INSIDE 2" GASKETED PVC,ABS OR CAST IRON PIPE
- PART NO. TG33G 3" INSERT FITS INSIDE 3" GASKETED PVC, ABS OR CAST IRON PIPE
- PART NO. TG34G 3" INSERT FITS INSIDE 4" GASKETED PVC, ABS OR CAST IRON PIPE

IMPORTANT NOTES :

1. This insert can be installed into any gasketed open ended pipe to prevent sewer gas emission.
2. They are inserted into a gasketed open end pipe that connects larger top floor drains.
3. They can be inserted into gasketed open ended pipe that connects floor sinks or hub drains,
4. To make a watertight seal, use an adhesive type caulk under the top flange and the gasket material.

If the trap guard device should get damaged or impaired in any way, the device can be easily removed by using a sharp screw driver under the flange. Not for use on waxed or grease-laden floors.

Note: Care should be taken not to touch the elastomeric flexible material with the primer.

MAINTENANCE INSTRUCTIONS:

The Trap Guard device should be inspected periodically for build up of any type debris. The device should then be flushed out thoroughly with clear warm water.



NO FIRE RATINGS ARE
REQUIRED FOR UNDERGROUND
PIPING OR OPENINGS



PROSET[®]
SYSTEMS
FIRESTOP PENETRATOR™

DATE :	6-10-11
DRG . NO .	TG-23-G