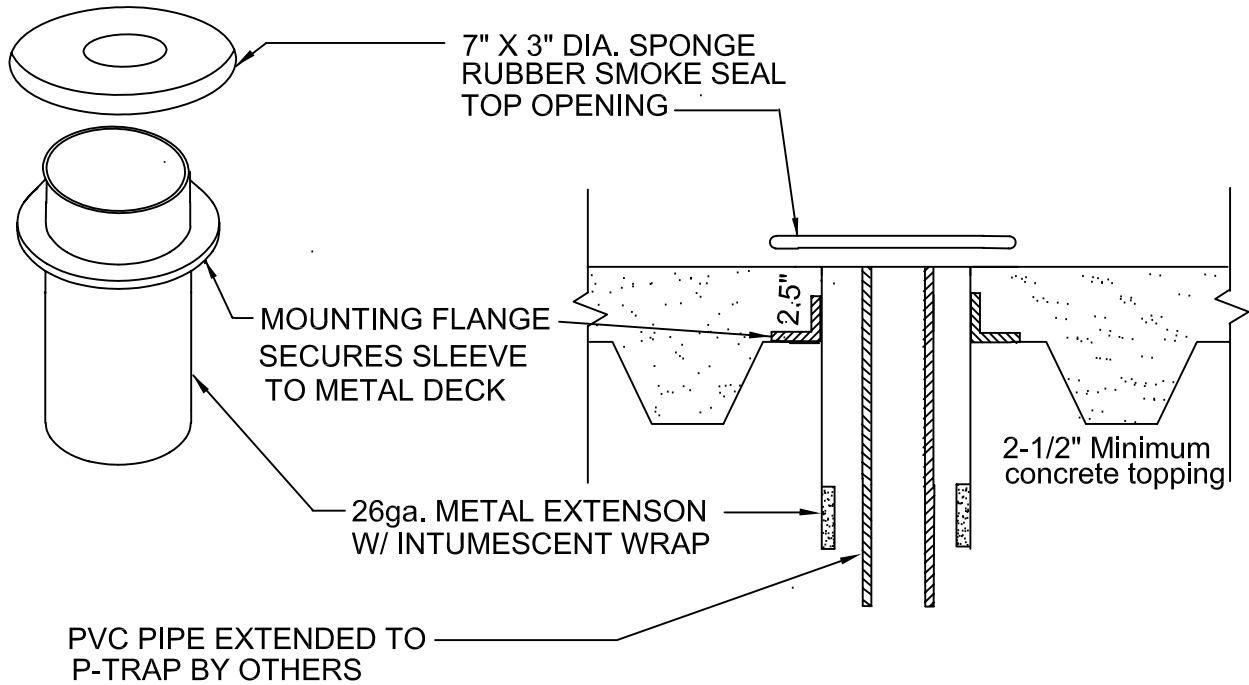


T-RITE PRECAST SHOWER DRAIN

CONCRETE ON CORRUGATED METAL DECK
FOR FLOORS



SEE DRAWINGS T-6300-APS FOR CONCRETE ON WOOD FORMS & T-6300-DPS FOR CORED HOLE

Part No.	Description	Price
2"	SPS-2560-H-CM 2" Precast Shower Sleeve	\$ 25.00
SR-73SS	7" X 3" Smoke Seal	\$ 3.25



W.H. Directory Reference 08 Edition
Firestop Device
W.H. Design No. PS/PH 120-18
F & T Rating 2 Hrs.



PROSET[®]
SYSTEMS
FIRESTOP PENETRATOR™

DATE :
2-10-12

DRG . NO .
T-6332-CPS