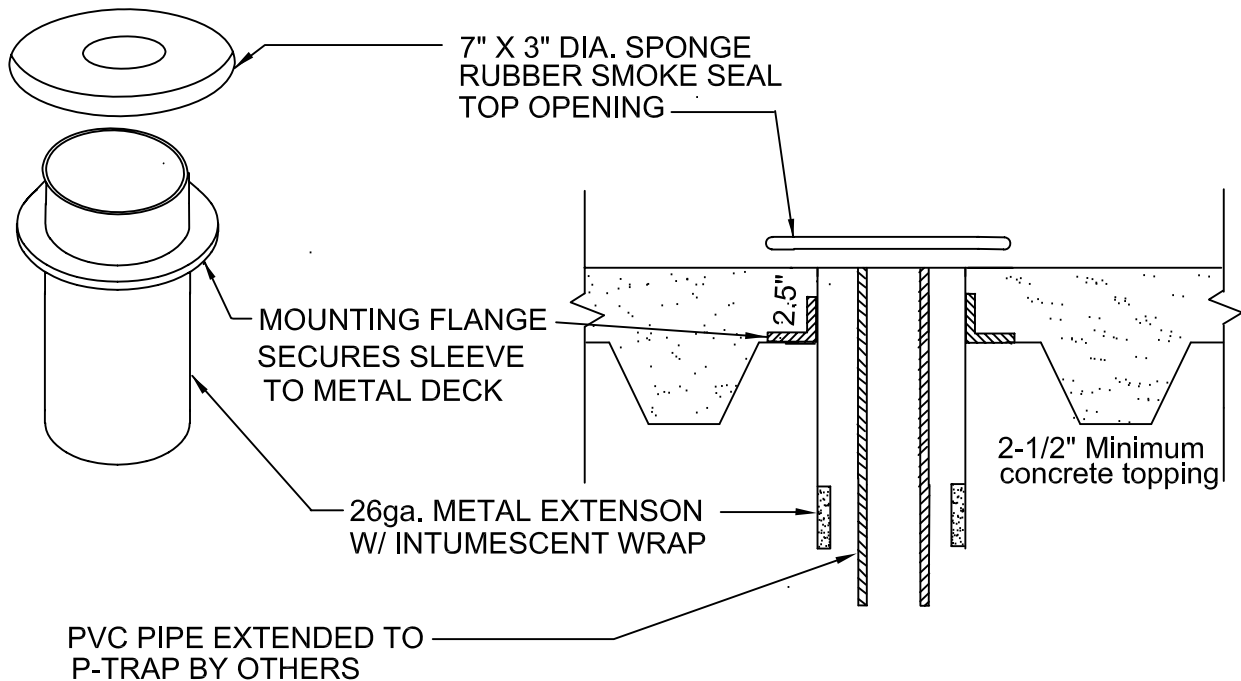


T-RITE PRECAST SHOWER DRAIN

CONCRETE ON CORRUGATED METAL DECK
FOR FLOORS



SEE DRAWINGS T-6300-APS FOR CONCRETE ON WOOD FORMS & T-6300-DPS FOR CORED HOLE

IMPORTANT NOTES:

1. Cut a 4-1/2" hole through the corrugated metal deck for a 2" drain.
2. Insert the metal sleeve so the bottom sets a minimum of 2" below floor and the top sets flush with the finish floor.
3. Secure the mounting flange to the metal deck with sheet metal screws.
4. Place the sponge rubber smoke seal between the precast drain fitting and the hub opening.
5. Connect the 2" PVC pipe to the precast drain and insert through the sleeve to the proper length to connect the P-Trap to the drain.



W.H. Directory Reference 08 Edition
Firestop Device
W.H. Design No. PS/PH 120-18
F & T Rating 2 Hrs.



PROSET[®]
SYSTEMS
FIRESTOP PENETRATOR™

DATE :
2-10-12

DRG . NO .
T-6332-CPS