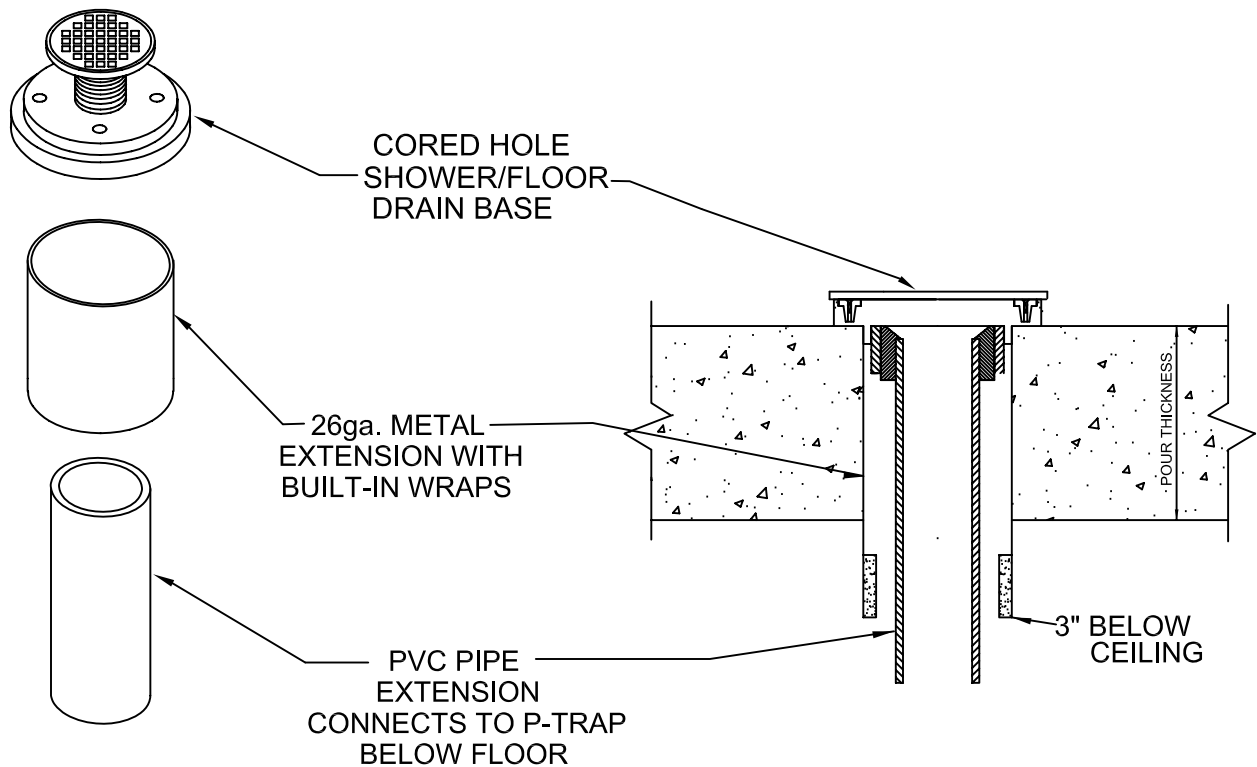


T-RITE SHOWER/FLOOR DRAIN

FOR CORED HOLES THROUGH CONCRETE FLOORS



SEE T-RITE STRAINER TOPS FOR VARIOUS TYPES AND SIZE STRAINER OPTIONS.
SEE DRAWING T-6330-A FOR CAST-IN PLACE & T-6330-C FOR METAL DECK.

IMPORTANT NOTES :

1. Core a 4 1/2" hole for a 2" and a 6" hole for a 3" size drain. Insert drain into the cored hole.
2. Tile man to build up grout around shower area to the base flange before setting waterproof pan. Or concrete must be cut down to fit the base fitting to the proper height.
3. Select the type of strainer top specified and install into the base fitting.
4. Set the waterproof pan and connect the P-Trap to the PVC pipe to complete the installation.



W.H. Directory Reference 08 Edition
Firestop Device
W.H. Design No. PS/PH 120-18
F & T Rating 2 Hrs.



PROSET[®]
SYSTEMS
FIRESTOP PENETRATOR™

DATE :
8-16-08
DRG . NO .
T-6330-D