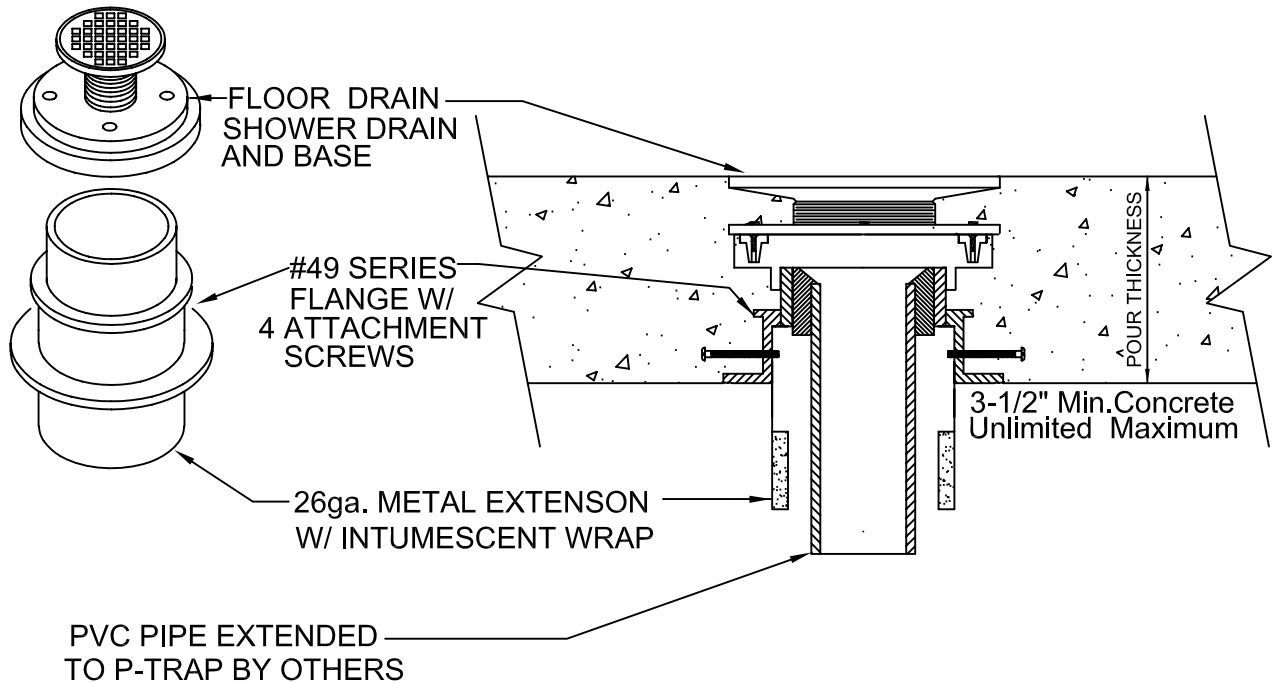


T-RITE FLOOR/SHOWER DRAIN

CONCRETE ON WOOD FORM
FOR FLOORS



SEE DRAWING T-6330-C FOR METAL DECKS & T-6330-D FOR CORED HOLES.

Size	Part No.	Description	Price
2"	SS-2560-H	2" Shower Drain Less tail piece & strainer	48.00
2"	SF-2560-H	2" Floor Drain Less tail piece & strainer	48.00
3"	SF-3560-H	3" Floor Drain Less tail piece & strainer	62.00

SS= for built-in shower - strainer is above the floor SF = for floor drain - strainer is below the floor

SEE T-RITE STRAINER TOPS FOR VARIOUS TYPES AND SIZE STRAINER OPTIONS.

Consult Sales Representative for current Strainer pricing.



W.H. Directory Reference 08 Edition
Firestop Device
W.H. Design No. PS/PH 120-18
F & T Rating 2 Hrs.



PROSET[®]
SYSTEMS
FIRESTOP PENETRATOR™

DATE :
1-10-10
DRG . NO .
T-6330-A