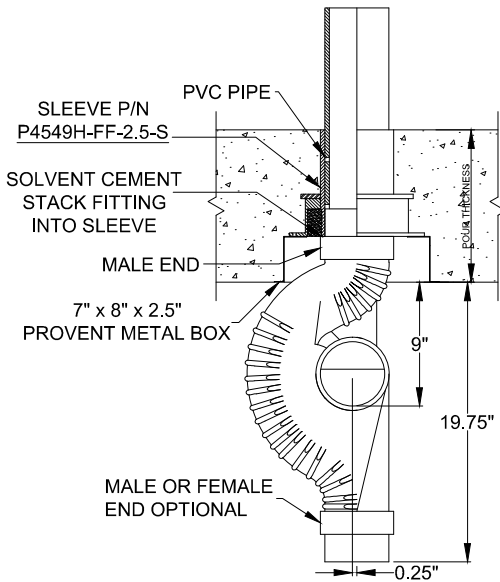
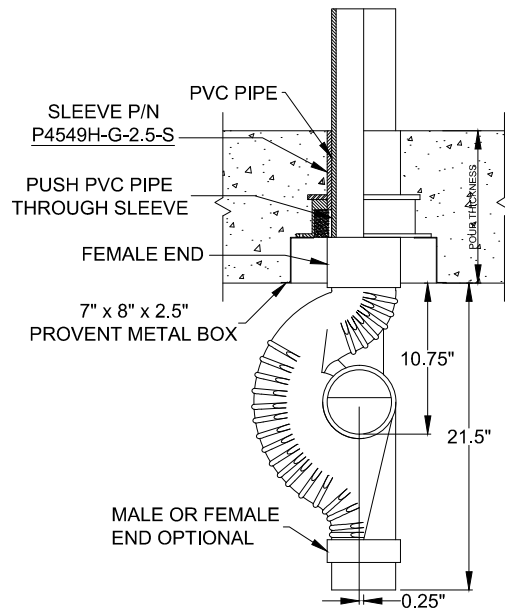


ROUGH-IN FOR RECESSED 4" STACK FITTING

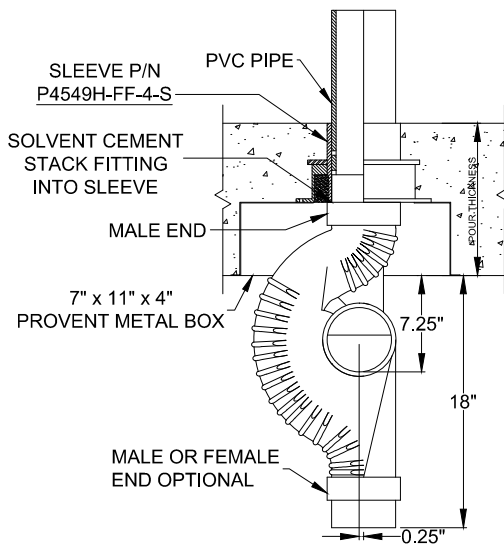
4" PROSET FIRE RATED PENETRATIONS THROUGH CONCRETE FLOORS



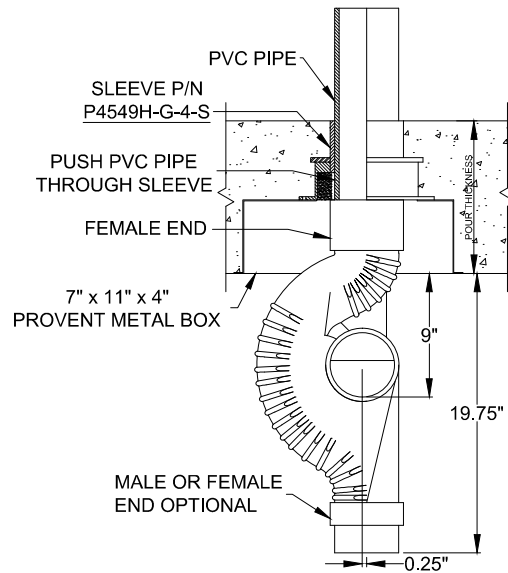
P4549H-FF-2.5-S \$60.00
4" Stack Top is Male



P4549H-G-2.5-S \$58.00
4" Stack Top is Female



P4549H-FF-4-S \$60.00
4" Stack Top is Male



P4549H-G-4-S \$58.00
4" Stack Top is Female

REDUCE INVERT ELEVATION BY $\frac{1}{2}$ " FOR 3" BRANCH



W.H. Directory Reference 00 Edition
Firestop Device
W.H. Design No. PS/PHV 180-03
F Rating 3 Hrs.

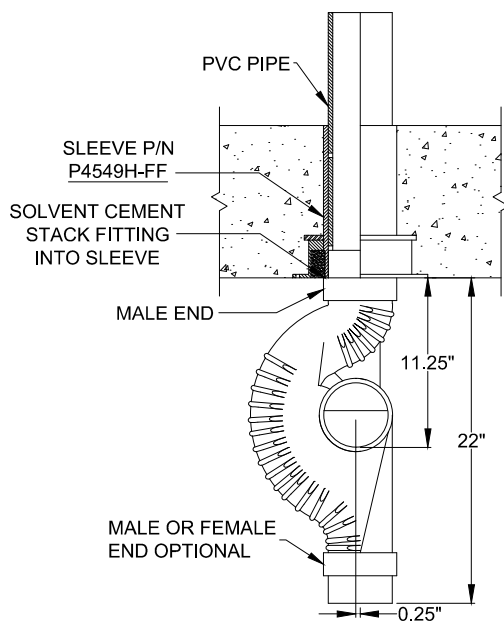


PROSET[®]
SYSTEMS
FIRESTOP PENETRATOR™

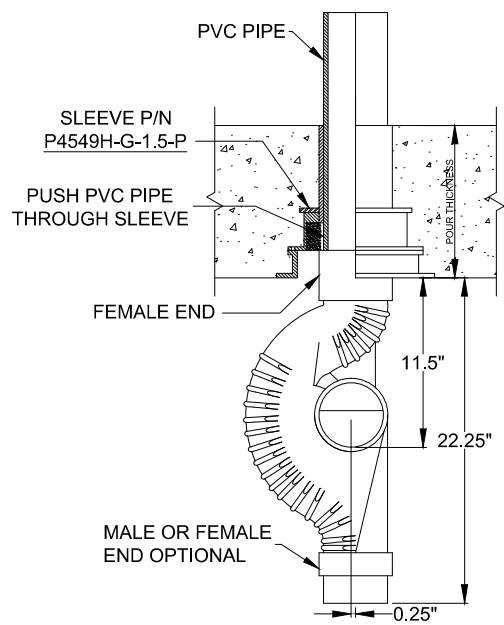
DATE :
06-01-2017
DRG . NO .
P-9049-4R

ROUGH-IN FOR FLUSH & RECESSED 4" STACK FITTING

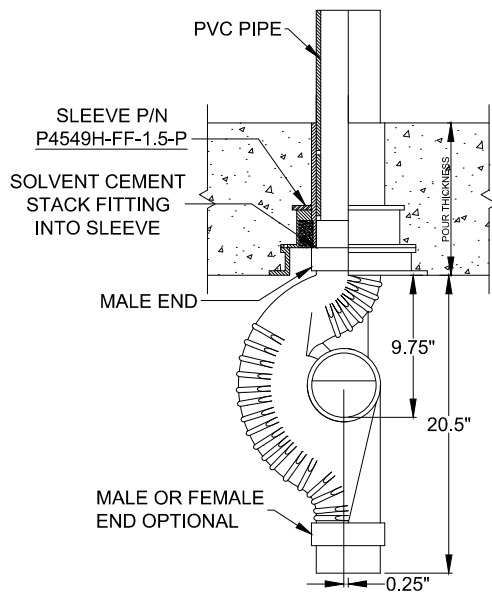
4" PROSET FIRE RATED PENETRATIONS THROUGH CONCRETE FLOORS



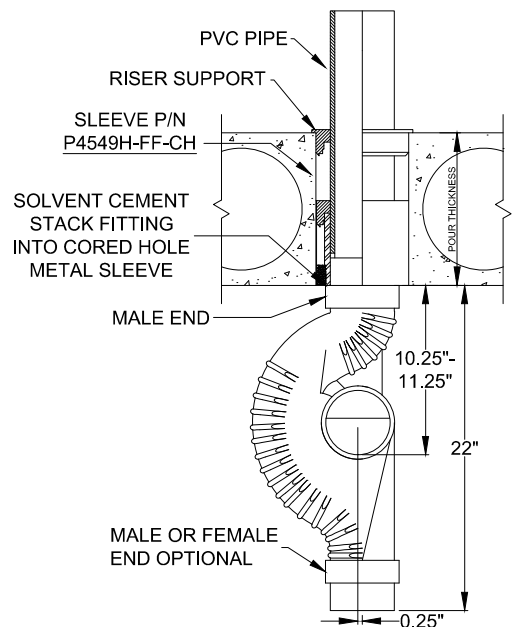
P4549H-FF \$30.00
4" Stack Top is Male



P4549H-G-1.5-P \$40.00
4" Stack Top is Female



P4549H-FF-1.5-P \$40.00
4" Stack Top is Male



P4549H-FF-CH \$35.00
4" Stack Top is Male

REDUCE INVERT ELEVATION BY $\frac{1}{2}$ " FOR 3" BRANCH



W.H. Directory Reference 00 Edition
Firestop Device
W.H. Design No. PS/PHV 180-03
F Rating 3 Hrs.



PROSET[®]
SYSTEMS
FIRESTOP PENETRATOR™

DATE :
06-01-2017
DRG . NO .
P-9049-4FFR